



INSTALLATION GUIDE

CONTACT US

By selecting a Haiku® fan, you've chosen quality design, heightened comfort and effortless conservation. Use this guide to safely install your fan. Please contact us with any questions you may have by calling 1-855-MY-HAIKU, or visit us at www.haikuhome.com to learn more about Haiku.

United States

2348 Innovation Drive
Lexington, KY 40511
855 694 2458

Canada

6300 Northwest Dr, Unit 3
Mississauga, ON L4V 1J7, Canada
1 844 924 4277



← Scan for online Haiku Home app help

Installation Guide

For operation, maintenance, and troubleshooting information, visit haikuhome.com/help

Models:

S3127-A2, S3127-S0, S3127-X2,
S3150-A2, S3150-S0, S3150-X2, B3213-X4,
FR127A-A2, FR127A-S0, FR127A-U0,
FR150A-A2, FR150A-S0, FR150A-U0, FR213A-U0

<i>Topic</i>	<i>Page</i>
Technical Specifications	3
Tools Needed	3
Parts and Hardware	
Low Profile Mount	4
Standard Mount	5
Universal Mount	6
Prepare the Fan Site	7
Install Your Fan	
Airfoils	8
Lower Cover	10
Mounting: Low Profile	14
Mounting: Standard	22
Mounting: Universal	32
Test Your Fan	46

READ AND SAVE THESE INSTRUCTIONS

NOTES

- ⚠️ **Disconnect power to the fan location! Do not use the fan with a dimmer switch!**
- ⚠️ **A licensed electrician must install the fan if required by your local electrical code.**

Technical Specifications

Diameter	Weight	Operating voltage	Operating frequency
52 in. (132 cm)	≤ 14 lb (6.4 kg)	100–240 VAC, 1 Φ	50–60 Hz
60 in. (152 cm)	≤ 16 lb (7.3 kg)	100–240 VAC, 1 Φ	50–60 Hz
84 in. (213 cm)	≤ 25 lb (11.3 kg)	100–240 VAC, 1 Φ	50–60 Hz

Tools Needed

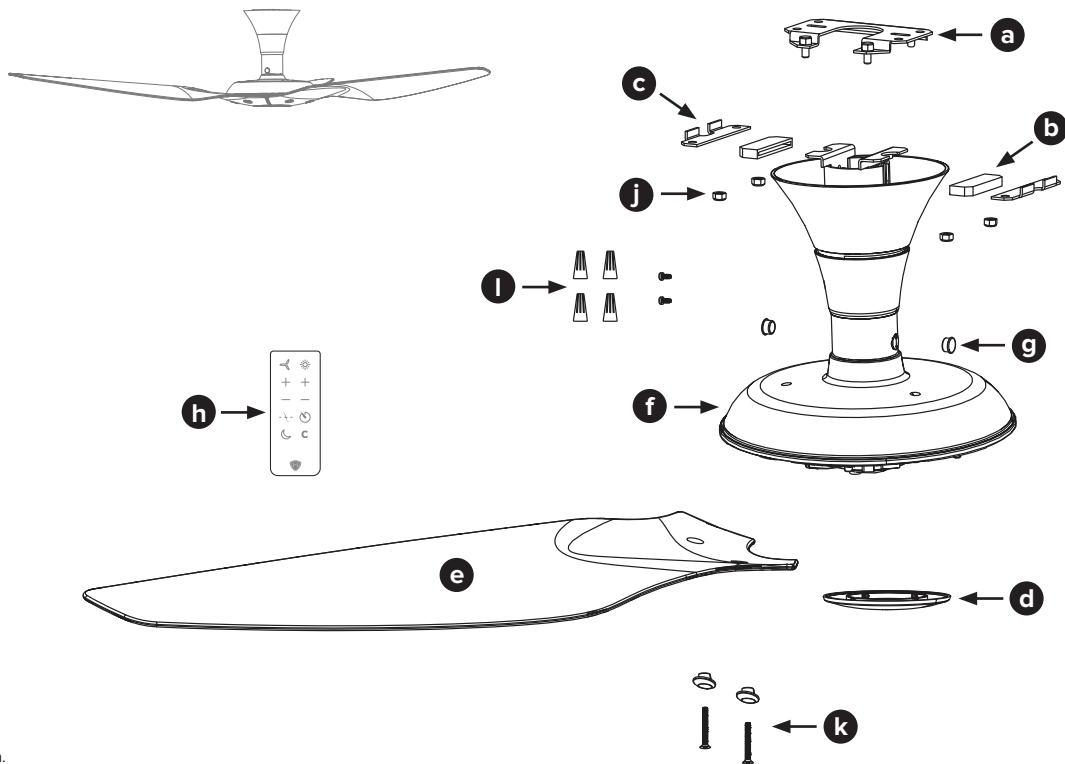
- Ladder
- Wire Strippers
- Phillips Screwdriver
- Wrenches

Box Contents

As you remove the fan from its packaging, make sure you are not missing any components required for assembly and operation. If you ordered multiple fans, be sure to keep the components of each fan together!

PARTS & HARDWARE: LOW PROFILE MOUNT

- a** Mounting plate
- b** (2) Rubber bumper
- c** (2) Mounting bracket
- d** Lower cover
- e** (3) Airfoil
- f** Motor hub
- g** (2) Extension tube screw cap†
- h** Remote control
- i** EMI filter (not shown)**
- j** Mounting hardware
 - (4) 6 mm Nylock nut
 - Safety cable shackle***
- k** Airfoil hardware
 - (6) M5 airfoil nut
 - (6) Airfoil grommet
- l** Wiring hardware
 - (4) Wire nut
 - (2) Wiring cover screw



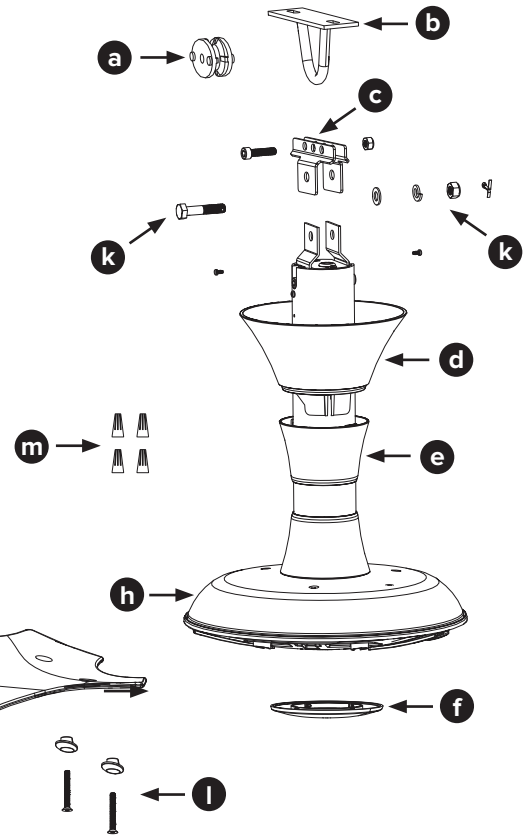
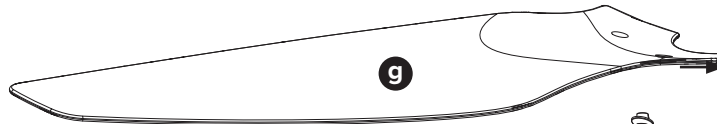
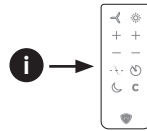
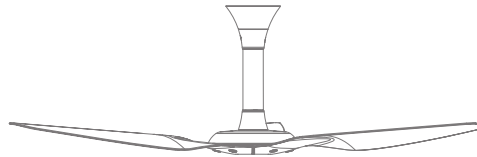
† Use the two screw caps that match the color of your fan.

** If the EMI filter is included, please install it with your fan.

*** Safety cable not shown

PARTS & HARDWARE: STANDARD MOUNT

- a** Rubber bushing
- b** Mounting bracket
- c** (2) Mounting brace bracket
- d** Wiring cover
- e** Wiring cover trim
- f** Lower cover
- g** (3) Airfoil
- h** Motor hub
- i** Remote control
- j** EMI filter (not shown)[†]
- k** Mounting hardware
 - (2) M6 x 1 x 25 mm socket cap screw^{**}
 - (2) M6 x 1 nylock nut^{**}
 - M8 Bolt
 - 8 mm flat washer
 - 8 mm lock washer
 - M8 nut
 - 2 mm x 2 mm split pin
 - Safety cable shackle^{***}
- l** Airfoil hardware
 - (6) M5 airfoil screw
 - (6) Airfoil grommet
- m** Wiring hardware
 - (4) Wire nut
 - (2) Wiring cover screw



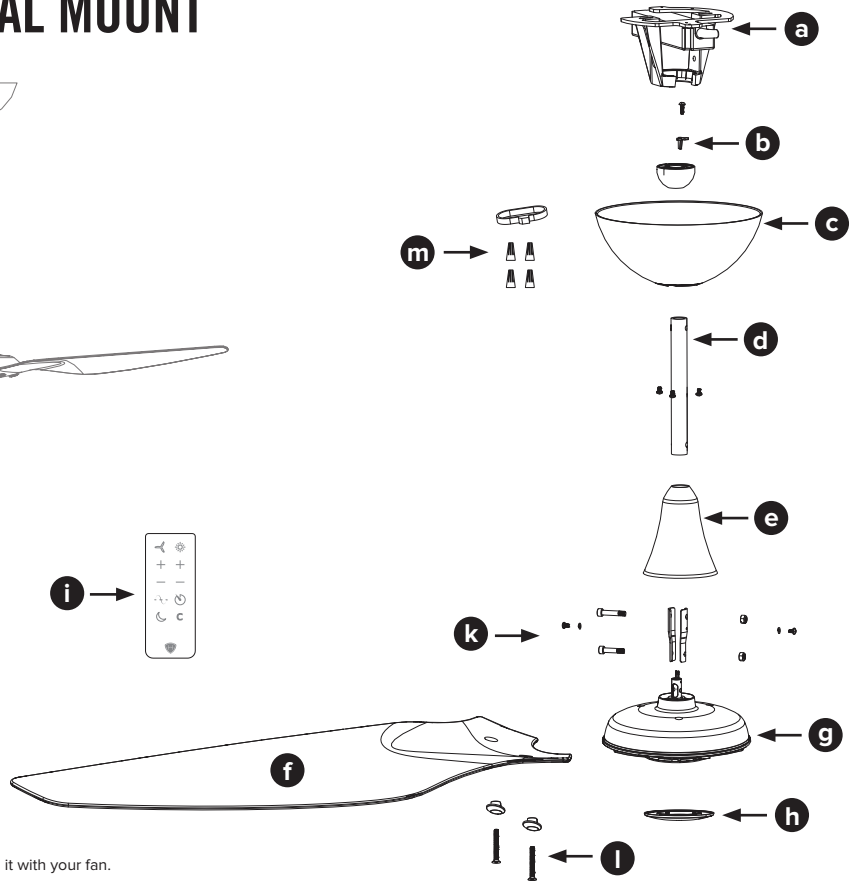
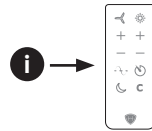
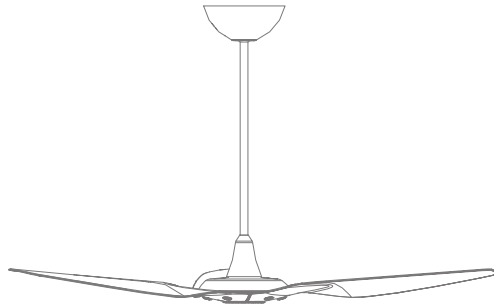
[†] If the EMI filter is included, please install it with your fan.

^{**} If installing the fan to a junction box, only one (1) bolt and one (1) nut are needed.

^{***} Safety cable not shown

PARTS & HARDWARE: UNIVERSAL MOUNT

- a** Mounting bracket
- b** Mounting ball & wedge
- c** Canopy
- d** Extension tube
- e** Wiring cover
- f** (3) Airfoil
- g** Motor hub
- h** Lower cover
- i** Remote control
- j** EMI filter (not shown)[†]
- k** Mounting hardware
 - 4 mm self-tapping screw
 - 6 mm steel pin
 - (6) M4 x 6 screw
 - (2) M4 lock washer
 - Safety cable shackle^{**}
 - (2) Motor bracket
 - M6 x 32 mm bolt
 - M6 x 28 mm bolt
 - (2) M6 nut
- l** Airfoil hardware
 - (6) M5 airfoil screw
 - (6) Airfoil grommet
- m** Wiring hardware
 - (4) Wire nut
 - Cable tie



[†] If the EMI filter is included, please install it with your fan.

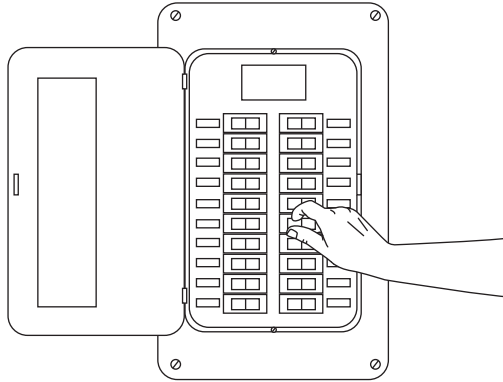
^{**} Safety cable not shown

1 PREPARE THE FAN SITE



Installation requires basic electrical knowledge. Contact a licensed electrician if you are uncomfortable performing electrical work!

1 Disconnect Power!

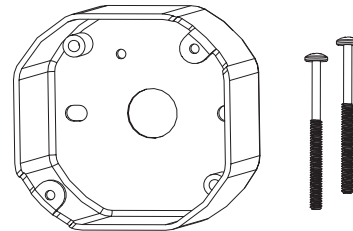


Disconnect power to the fan location before wiring the fan!

2 Outlet Box

If you are installing your fan to an outlet box, the outlet box must be *suitable for fan support*.

If there is not an outlet box at the fan location, install one on a ceiling joist or beam.

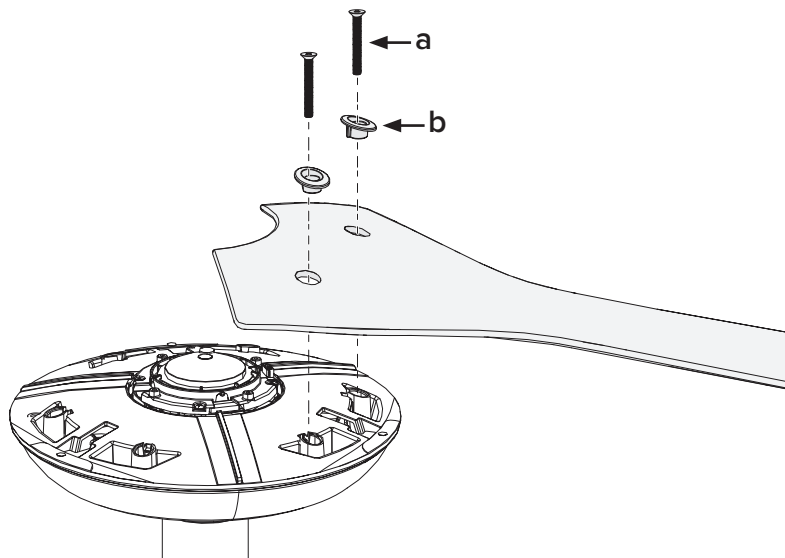


2

INSTALL THE AIRFOILS

 Make sure the stickers on the airfoils match the stickers on the fan hub!

INSTALL AIRFOILS



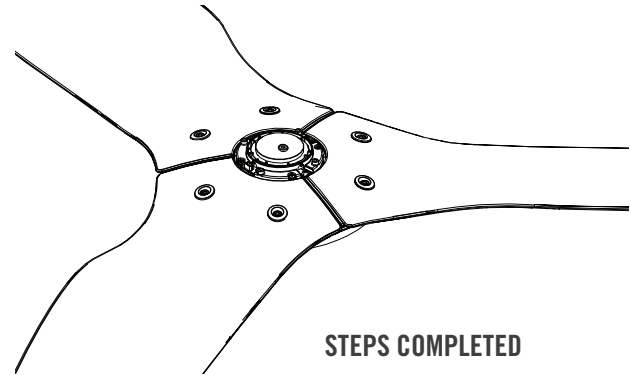
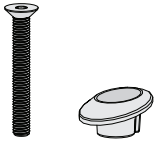
2

- 1 Remove and recycle the plastic protective cover.
- 2 Moving clockwise around the fan, align each airfoil on the fan hub and secure it with the screws and grommets. **Make sure the stickers on the airfoils match the stickers on the fan hub.**

Hardware:

a. M5 airfoil screw

b. Airfoil grommet

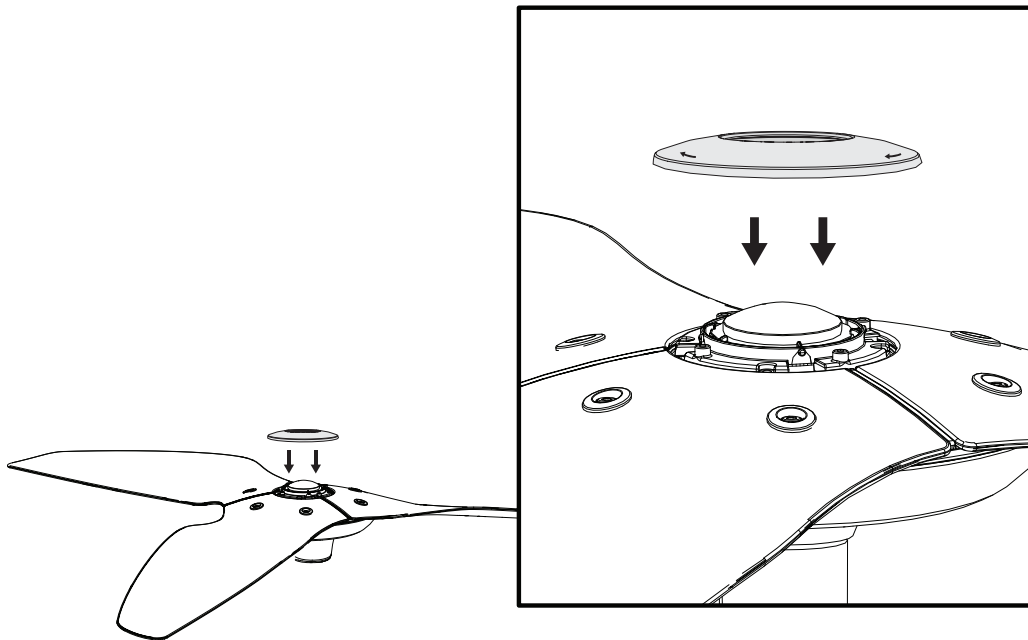


3

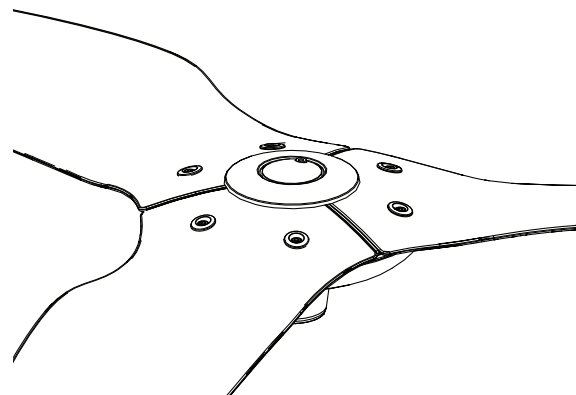
INSTALL THE LOWER COVER



If you purchased the Haiku Light Kit, proceed to the instructions included with the kit. Return to these instructions once the light is installed.



Snap the lower cover to the bottom of the fan hub.



STEP COMPLETED

MOUNT THE FAN

Low Profile Mount

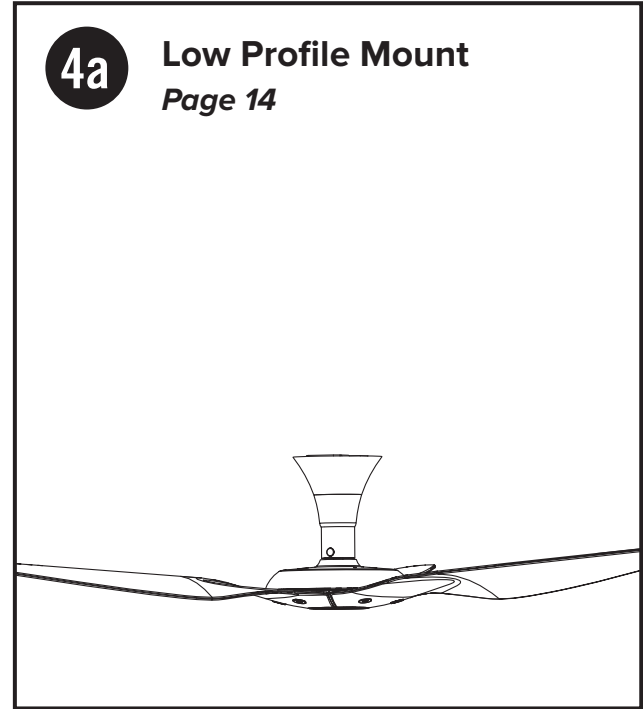
The low profile mount can be installed on flat ceilings that are as low as 8 feet (2.4 m). This mount is available for fans with 52-inch or 60-inch diameters.

Standard Mount

The standard mount moves air most efficiently when installed on flat ceilings ranging from 8.5–12 feet (2.5–3.7 meters) tall. This mount is available for fans with 52-inch or 60-inch diameters.

Universal Mount

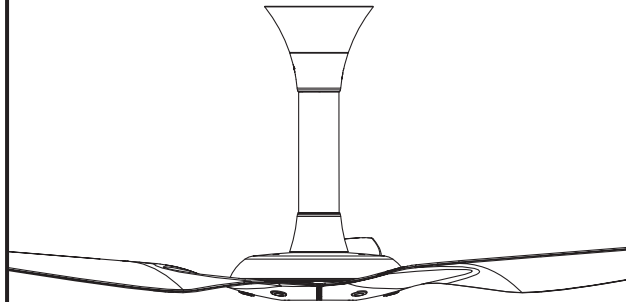
The universal mount can be installed on sloped or flat ceilings ranging from 8.5–18 feet (2.5–5.5 meters) tall. This mount is available for fans with 52-inch, 60-inch, or 84-inch diameters.



4b

Standard Mount

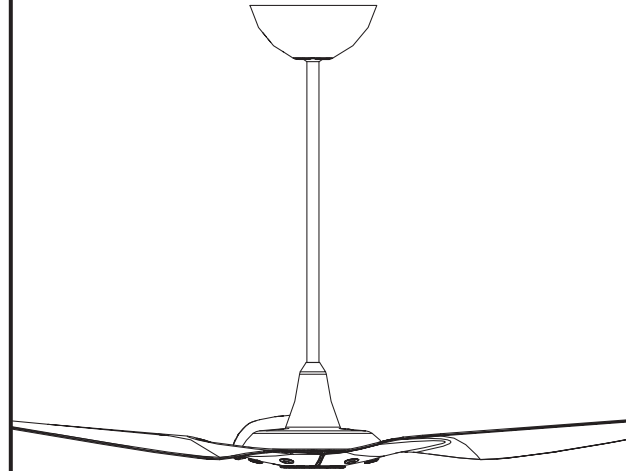
Page 22



4c

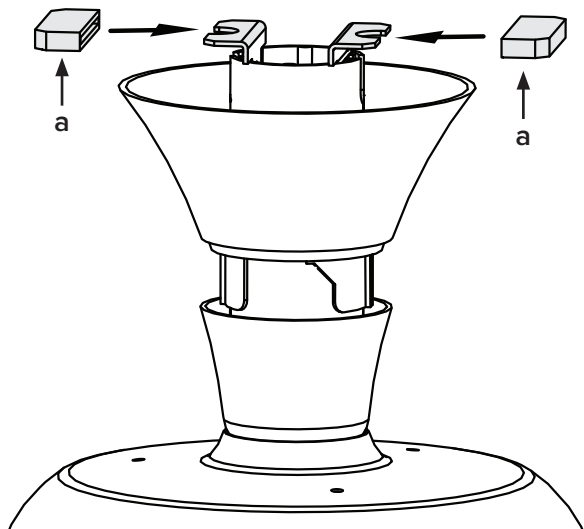
Universal Mount

Page 32



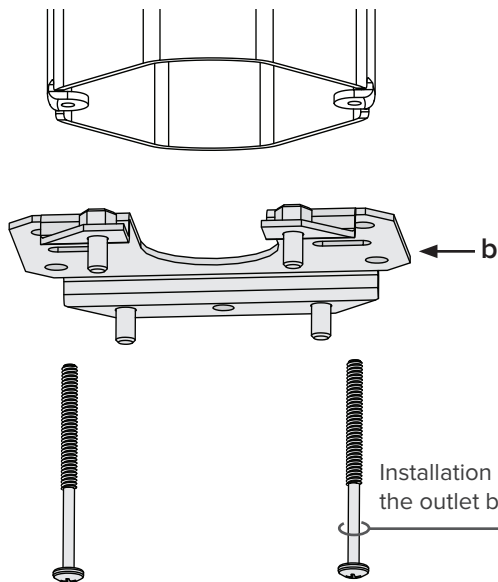
4a MOUNTING: LOW PROFILE

INSTALL RUBBER BUMPERS



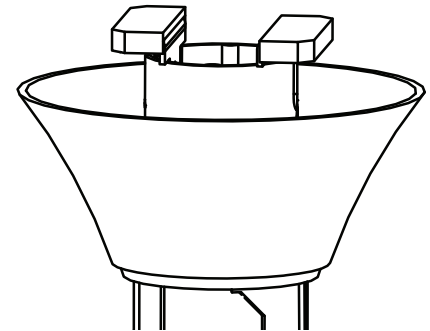
1

INSTALL MOUNTING PLATE



2

- 1 Slide the rubber bumpers (*a*) onto the extension tube brackets.
- 2 Secure the mounting plate (*b*) to the outlet box with the **hardware supplied with the outlet box**. Refer to the outlet box instructions.

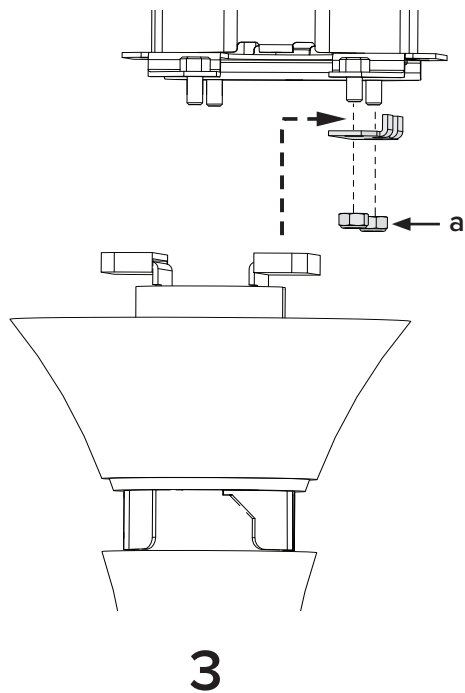


STEPS COMPLETED

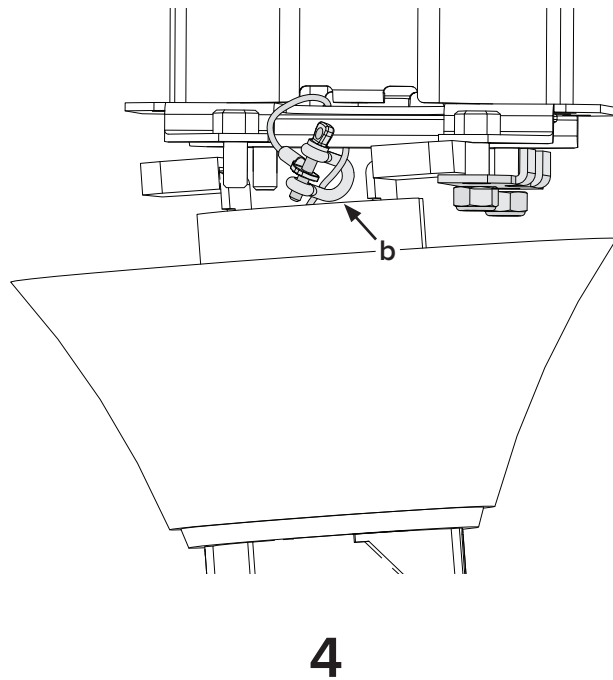
4a

MOUNTING: LOW PROFILE (CONT.)

SUPPORT FAN



SECURE SAFETY CABLE





If you are installing the fan in Canada, the safety cable must be secured directly to an existing part of the building structure. Examples of acceptable building structures include a wooden beam or a metal mounting brace secured between two beams. In some cases it may be necessary to install additional structural material to provide attachment points.

- Loosely attach one mounting bracket to the mounting plate with the nylock nuts, but do not fully tighten. Raise the fan to the bracket and temporarily rest one rubber bumper in the space between the bracket and plate. This provides extra support when securing the safety cable.

Hardware:

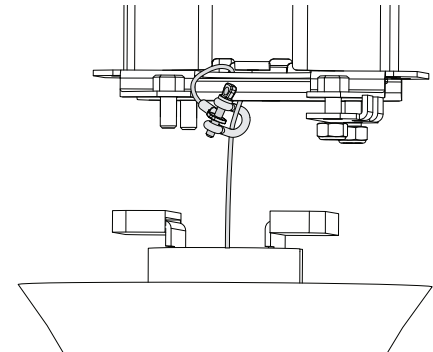
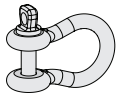
a. 6 mm nylock nuts



- While supporting the fan, loop the safety cable around the mounting plate or building structure, and then secure it with the shackle (b). Allow the fan to hang from the safety cable.

Hardware:

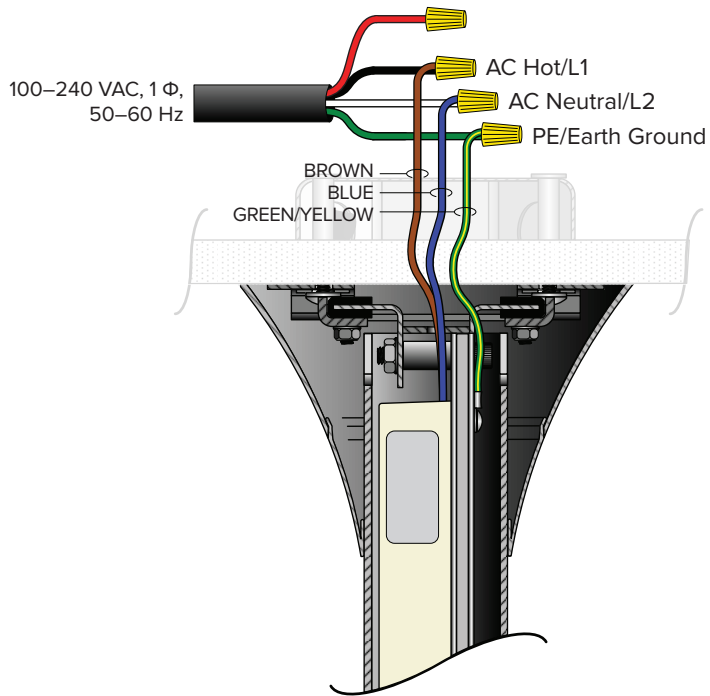
b. Shackle



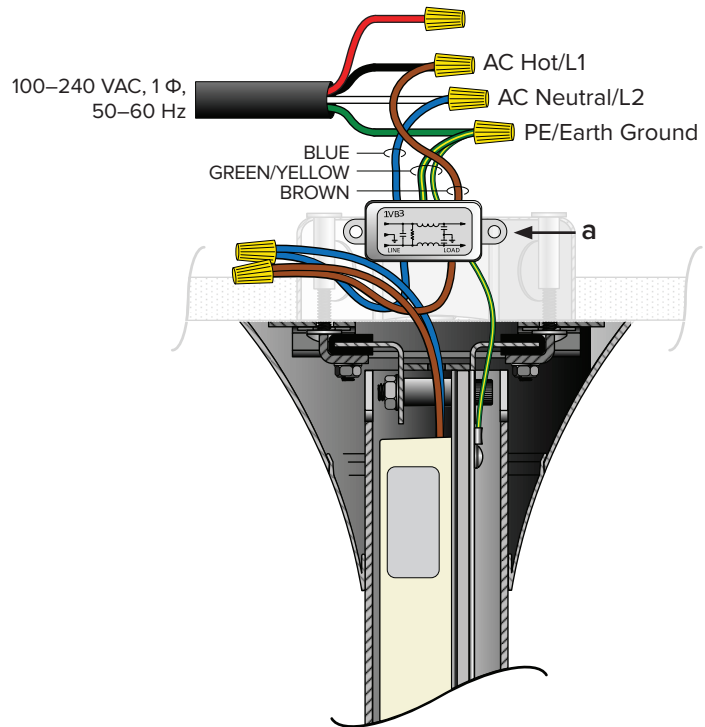
STEPS COMPLETED

MOUNTING: LOW PROFILE (CONT.)

Wiring Diagram



Wiring Diagram (with EMI Filter)



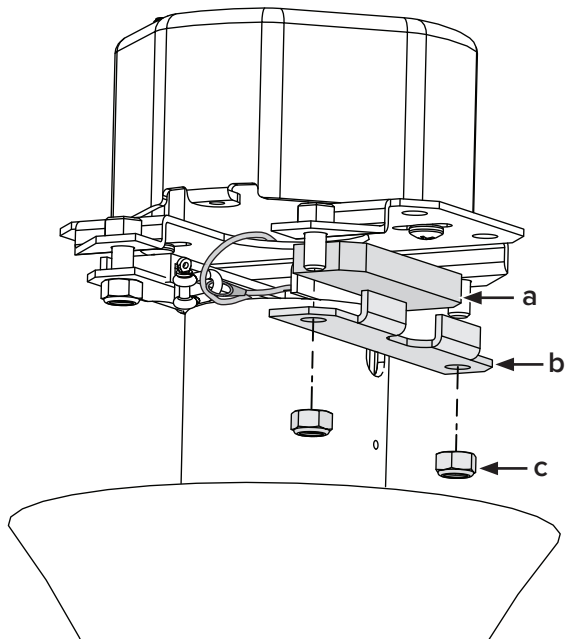
- ⚠️ Disconnect power to the fan location before wiring the fan!**
 - ⚠️ Do not connect the fan to a damaged power source! Do not attempt to resolve electrical failures on your own. Consult a qualified electrician if uncertain of the electrical installation of this fan.**
- 5** With the fan hanging from the safety cable, connect the fan wires to the ceiling wires by twisting the ends together and securing them with wire nuts.
- If the EMI filter (*a*) is included, install it with your fan. Test the connection by lightly tugging on the wire nuts. An EMI filter is an electronic component that suppresses electromagnetic interference.

	AC Hot/L1 Brown	AC Neutral/L2 Blue	PE/Earth Ground (connected to fan chassis) Green with Yellow Tracer
North America 100–120 V system	Black	White	Green or Bare Copper
All other regions	Brown	Blue	Green with Yellow Tracer

4a

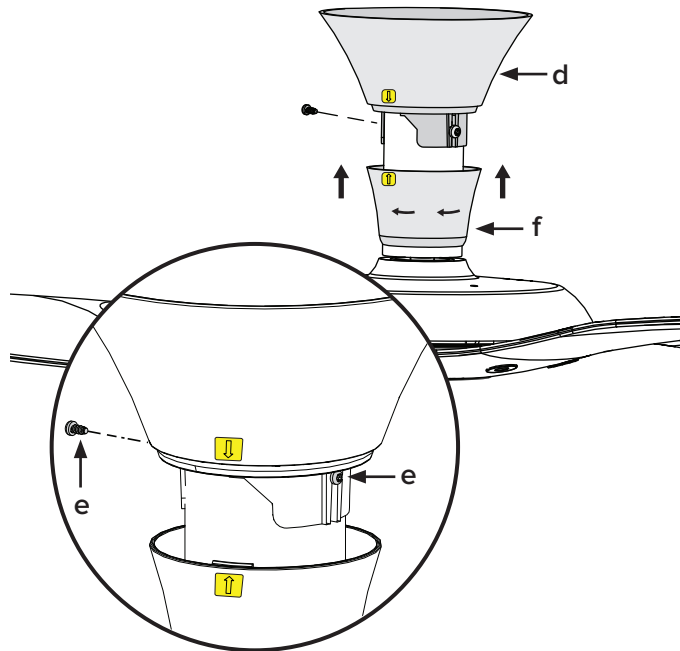
MOUNTING: LOW PROFILE (CONT.)

INSTALL MOUNTING BRACKETS



6

INSTALL WIRING COVER AND TRIM



7

- 6** Raise the fan to the mount. Insert one rubber bumper between the mounting plate and the loosely installed mounting bracket. Position the other rubber bumper (*a*), and then secure it with the remaining mounting bracket (*b*) and the nuts. Tighten all hardware.

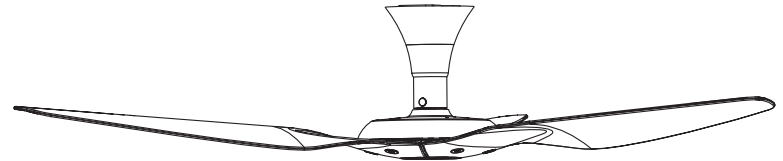
Hardware:

c. 6 mm nylock nuts



- 7** Slide the wiring cover (*d*) up the extension tube, allowing about a 1/8" (3 mm) gap to the ceiling. Rotate the cover so that the mounting slots align with the screw holes on the extension tube, and then secure it with the screws (*e*).

Slide the trim (*f*) up the extension tube, aligning the tabs on the inside with the slots on the bottom of the wiring cover. Twist clockwise to snap the trim into position.

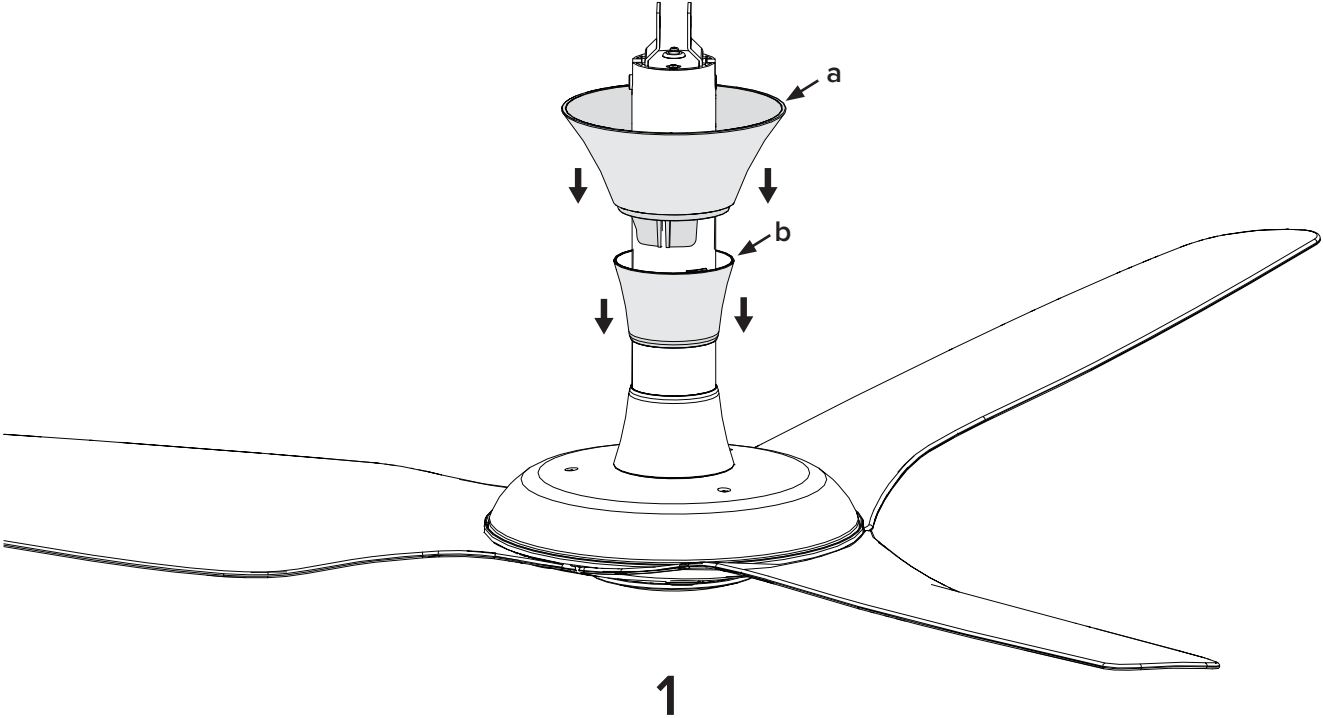


INSTALLATION COMPLETED

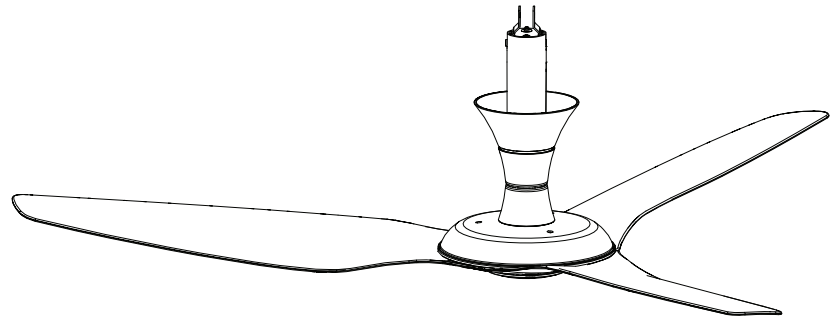
4b

MOUNTING: STANDARD

POSITION WIRING COVER AND TRIM



- 1 With the fan in the upright position, remove the protective covering from the extension tube. Slide the wiring cover (*a*) and wiring cover trim (*b*) over the extension tube, resting them on the fan hub.

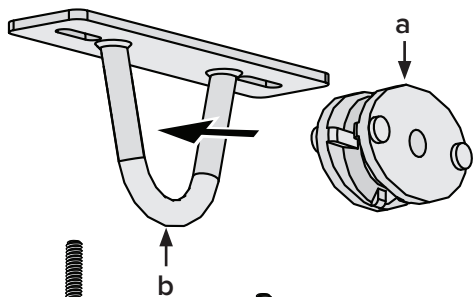
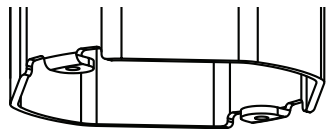


STEP COMPLETED

4b

MOUNTING: STANDARD (CONT.)

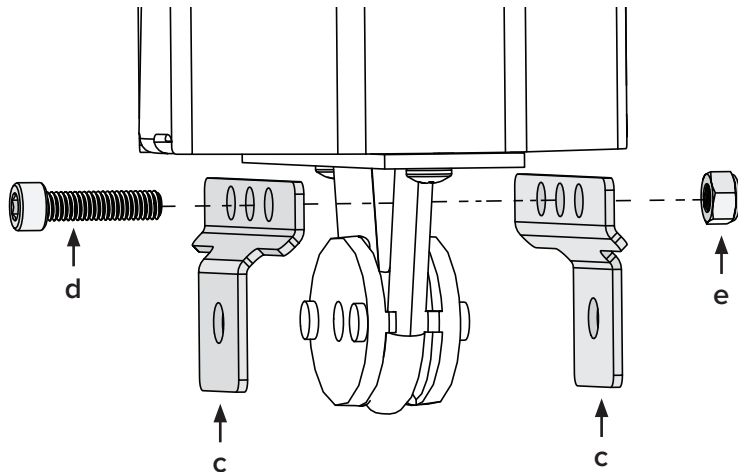
INSTALL MOUNTING BRACKET



Installation may vary. Refer to the outlet box instructions.

2

SECURE MOUNT BRACE BRACKETS



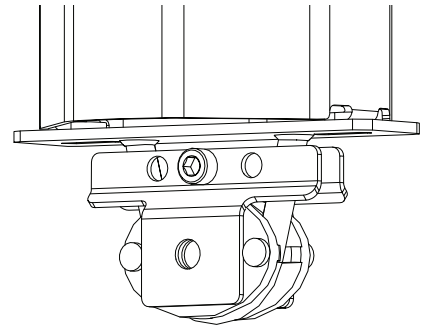
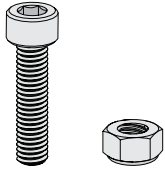
3

- 2 Seat the rubber bushing (a) in the eye of the mounting bracket. Secure the mounting bracket (b) to the outlet box with the **hardware supplied with the outlet box**.
- 3 Loosely install the mount brace brackets (c) with the provided hardware. The bolt should be inserted in the middle hole. Do not fully tighten the hardware.

Hardware:

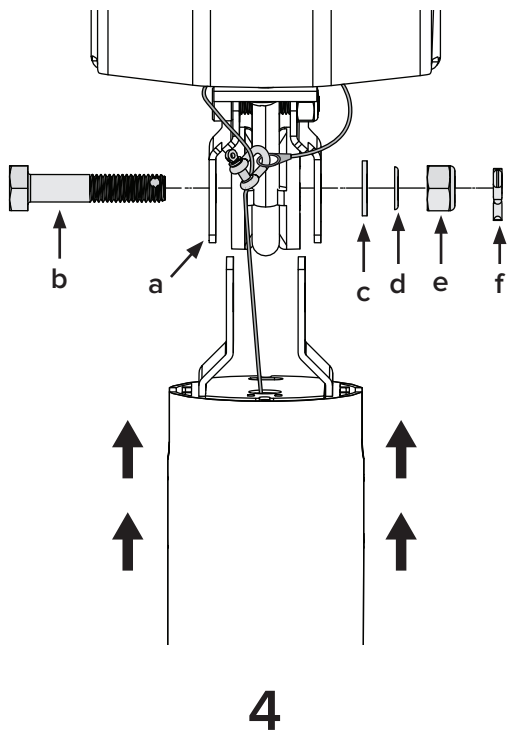
d. M6 x 1 x 25 mm socket cap screw

e. M6 x 1 nylock nut

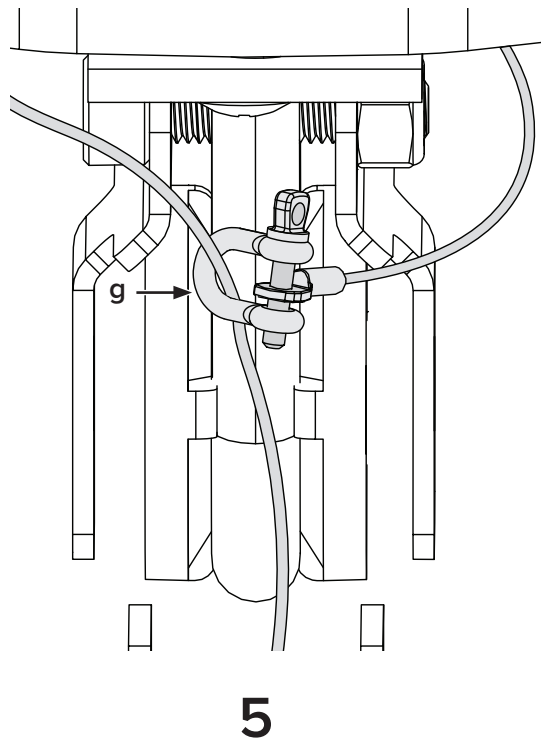


STEPS COMPLETED

HANG FAN



SECURE SAFETY CABLE





If you are installing the fan in Canada, the safety cable must be secured directly to an existing part of the building structure instead of the outlet box. Examples of acceptable building structures include a wooden beam or a metal mounting brace secured between two beams. In some cases it may be necessary to install additional structural material to provide attachment points.

- 4** Raise the extension tube to the mount, and insert the extension tube brackets between the mount brackets (a) and the rubber bushing so that the mounting holes are aligned. Secure the extension tube with the mounting hardware. *Fully tighten all hardware so that the brackets are slightly bent.*

Hardware:

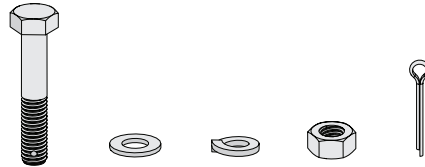
b. M8 bolt

c. 8 mm flat washer

d. 8 mm lock washer

e. M8 nut

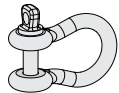
f. 2 mm x 2 mm split pin



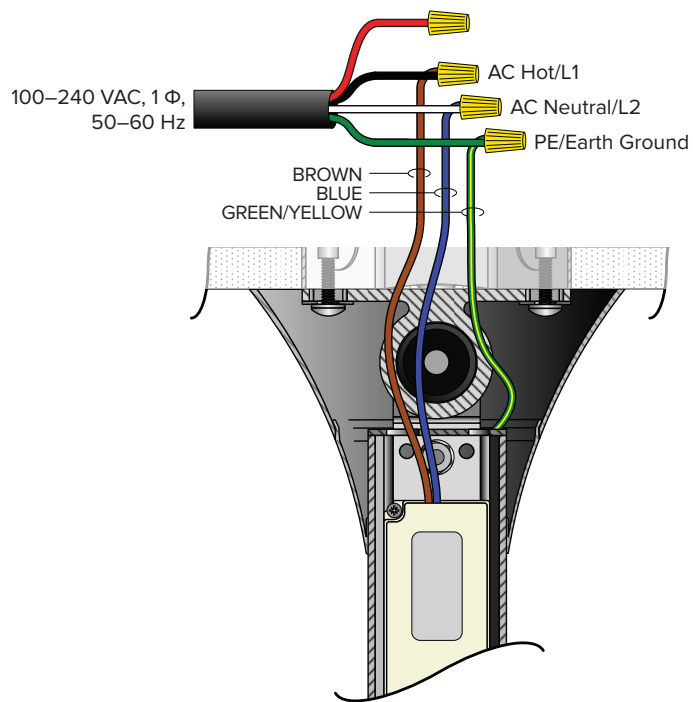
- 5** Loop the safety cable around the mounting bracket or building structure, and then secure it with the shackle (g).

Hardware:

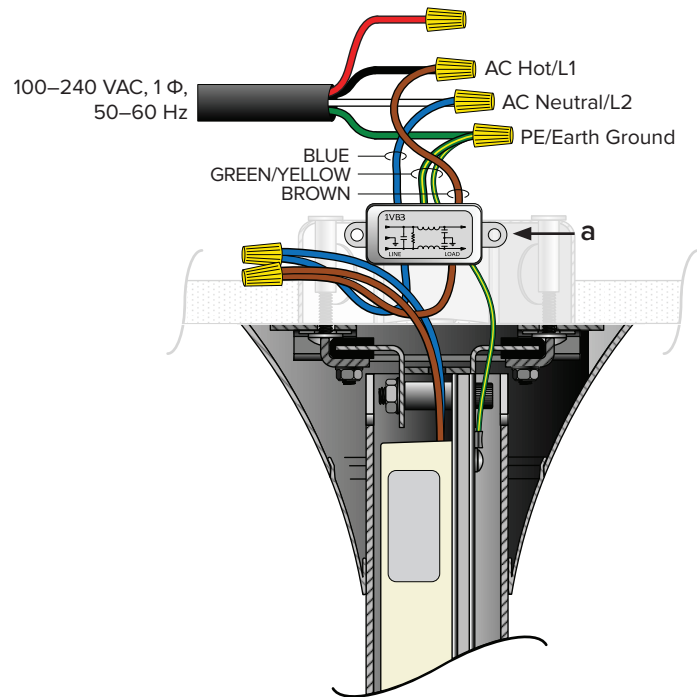
g. Shackle



Wiring Diagram



Wiring Diagram (with EMI Filter)

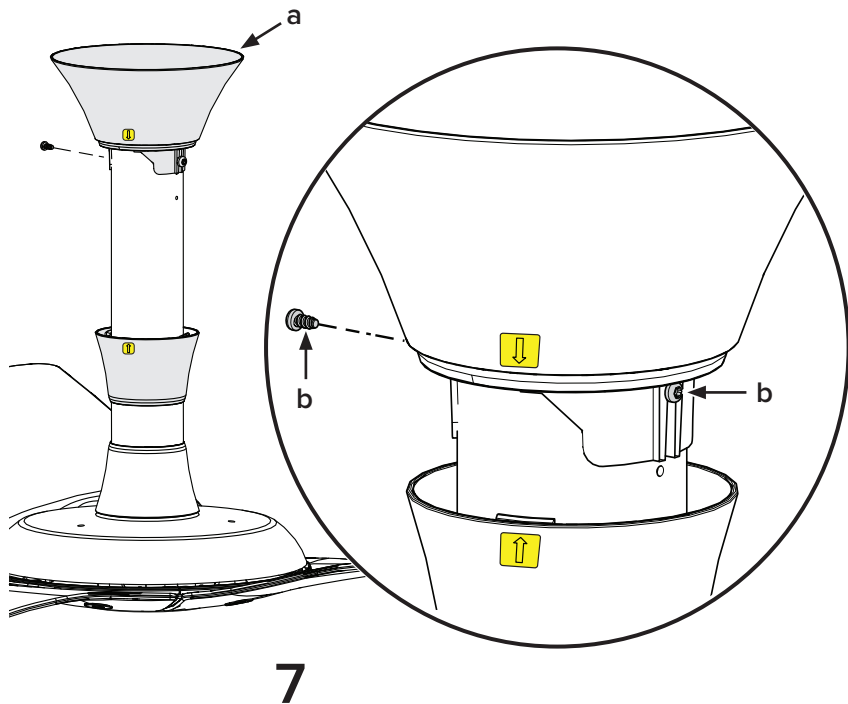


- ⚠️ Disconnect power to the fan location before wiring the fan!**
 - ⚠️ Do not connect the fan to a damaged power source! Do not attempt to resolve electrical failures on your own. Consult a qualified electrician if uncertain of the electrical installation of this fan.**
- 6** Connect the fan wires to the ceiling wires by twisting the ends together and securing them with wire nuts.

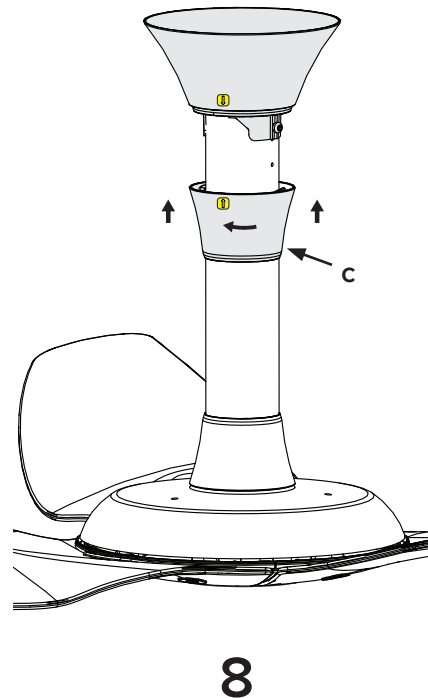
If the EMI filter (a) is included, install it with your fan. Test the connection by lightly tugging on the wire nuts. An EMI filter is an electronic component that suppresses electromagnetic interference.

	AC Hot/L1 Brown	AC Neutral/L2 Blue	PE/Earth Ground (connected to fan chassis) Green with Yellow Tracer
North America 100–120 V system	Black	White	Green or Bare Copper
All other regions	Brown	Blue	Green with Yellow Tracer

INSTALL WIRING COVER

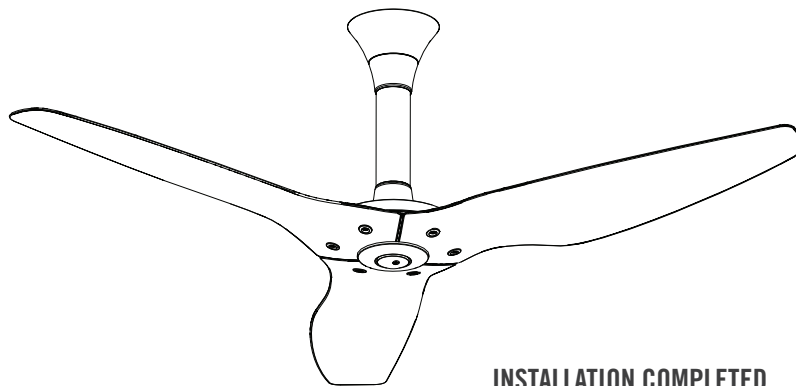


INSTALL WIRING COVER TRIM



- 7 Slide the wiring cover (a) up the extension tube, allowing about a 1/8" (3 mm) gap to the ceiling. Rotate the wiring cover so that the mounting slots align with the screw holes on the extension tube, and then secure it with the screws (b). Make sure that there are no wires visible. *If there is not enough clearance between the cover and ceiling, move the screw to the lower hole.*

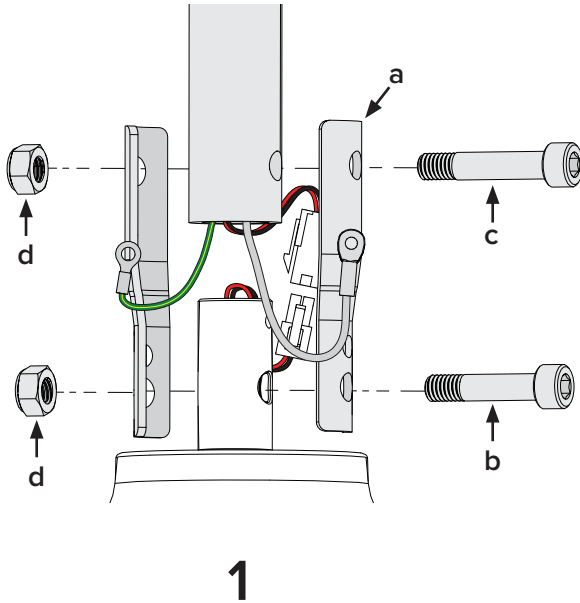
- 8 Slide the wiring cover trim (c) up the extension tube, aligning the tabs on the inside with the slots on the bottom of the wiring cover. Twist clockwise to snap into position.



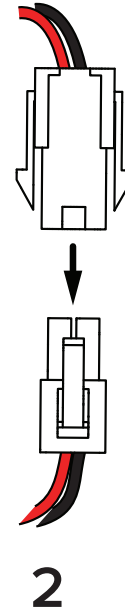
4c MOUNTING: UNIVERSAL

Make sure the extension tube is oriented so that the wiring connector properly mates with the connector from the fan hub.

INSTALL MOTOR BRACKETS



CONNECT WIRING HARNESS



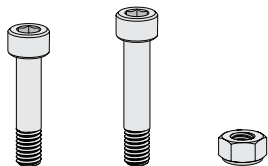
- 1** With the fan in the upright position, loosely secure the motor brackets (a) to the motor shaft with the M6 x 28 mm bolt (b) and nut (d). Install the extension tube with the M6 x 32 mm bolt (c) and nut (d). Securely tighten both bolts.

Hardware:

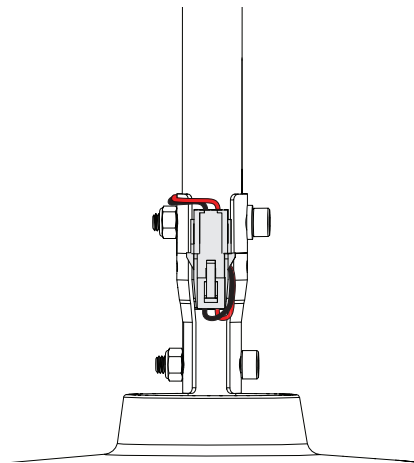
b. M6 x 28 mm bolt

c. M6 x 32 mm bolt

d. M6 nut

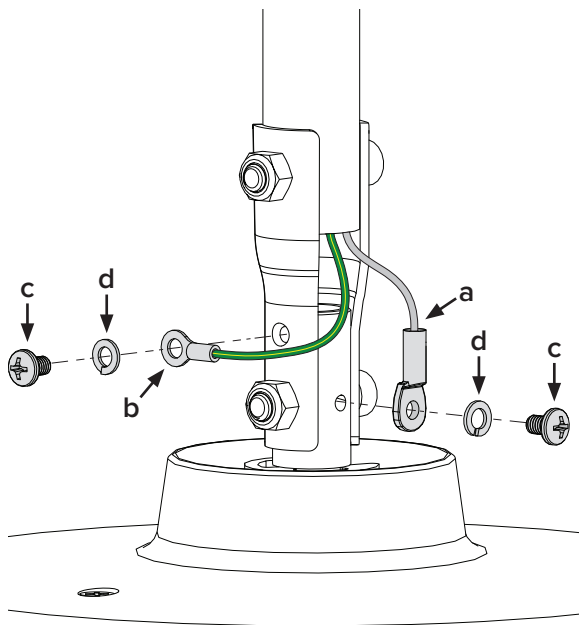


- 2** Plug the wiring harness from the extension tube into the wiring harness from the fan.



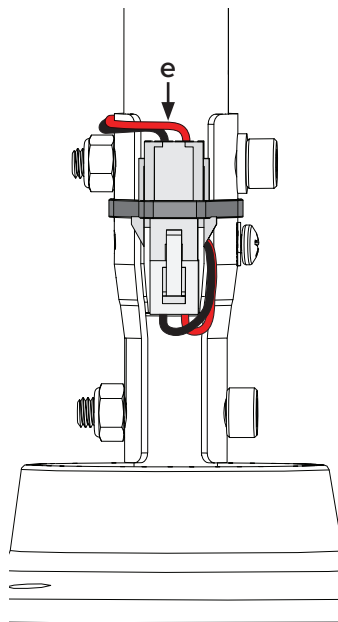
STEPS COMPLETED

INSTALL LOWER SAFETY CABLE & GROUND



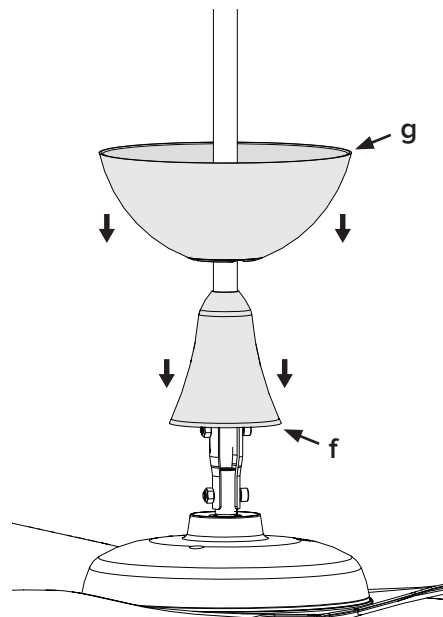
3

SECURE WIRING HARNESS




4

PREPARE WIRING COVER



5

 Make sure the wires are tightly secured against the motor brackets so that the wiring cover seats properly.

3 Install the safety cable (a) and ground wire (b) lugs with the unpainted screws (c) and lock washers (d).

Hardware:

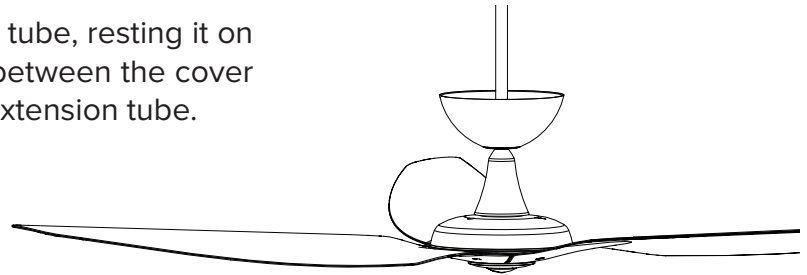
c. Unpainted M4 x 6 mm screws

d. M4 lock washers



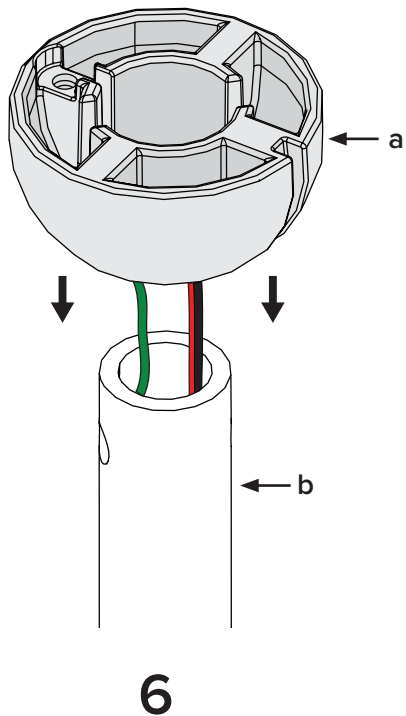
4 Secure the wiring harness (e) to the motor brackets with the provided cable tie. Make sure the wires are tightly secured against the motor brackets so that the wiring cover seats properly.

5 Slide the wiring cover (f) down the extension tube, resting it on the fan hub. Make sure no wires are visible between the cover and fan hub. Slide the canopy (g) down the extension tube.

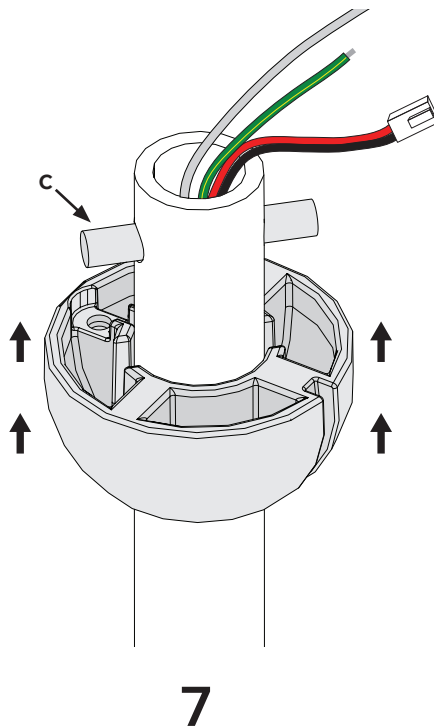


STEPS COMPLETED

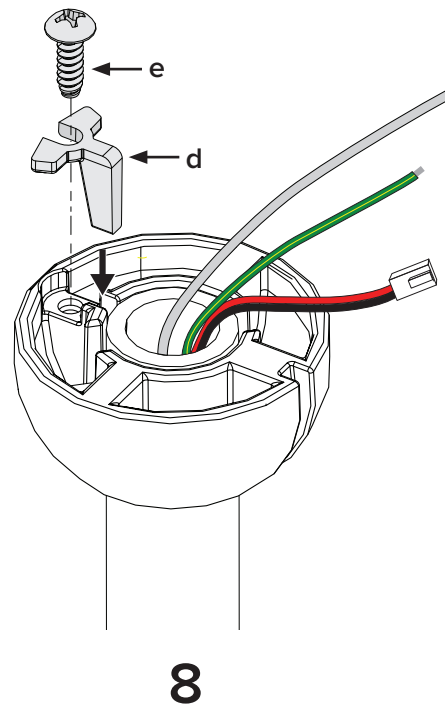
POSITION MOUNTING BALL



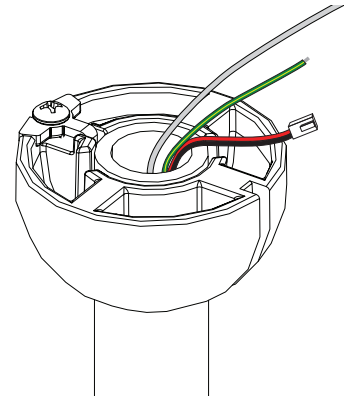
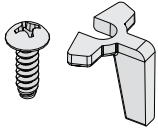
INSTALL STEEL PIN



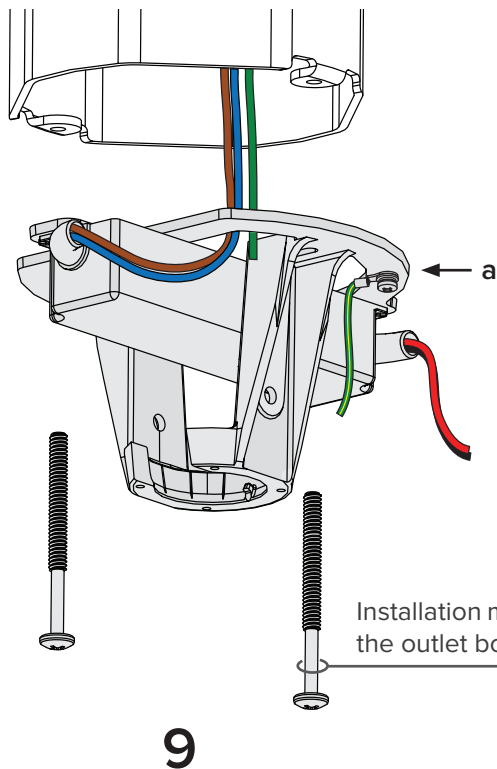
INSTALL WEDGE



- 6 Slide the mounting ball (*a*) over the extension tube (*b*).
- 7 Insert the 6 mm steel pin (*c*) into the hole at the top of the extension tube, and then slide the mounting ball upward, seating the steel pin in the inner slots.
- 8 Insert the wedge (*d*) into the mounting ball and secure it with the screw (*e*). Tighten the screw enough to prevent movement between the mounting ball and extension tube, but do not overtighten.



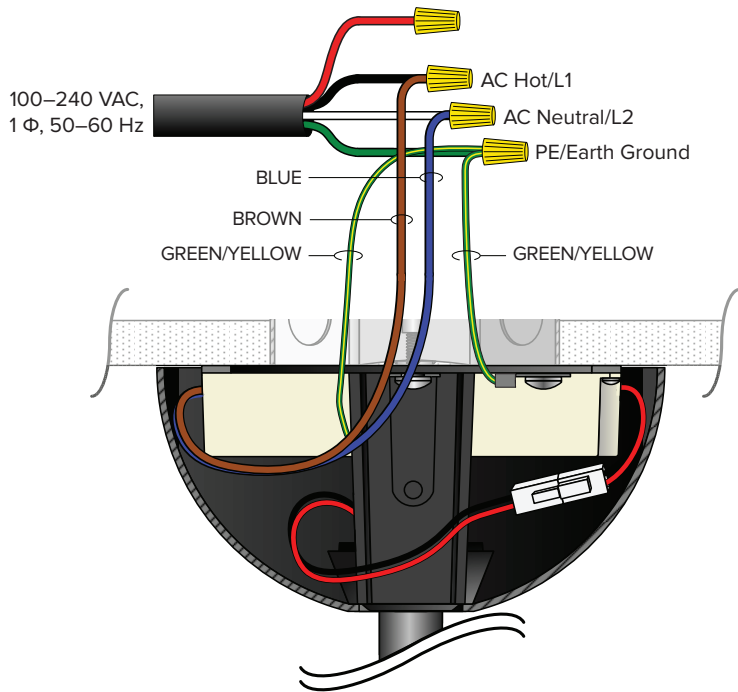
STEPS COMPLETED



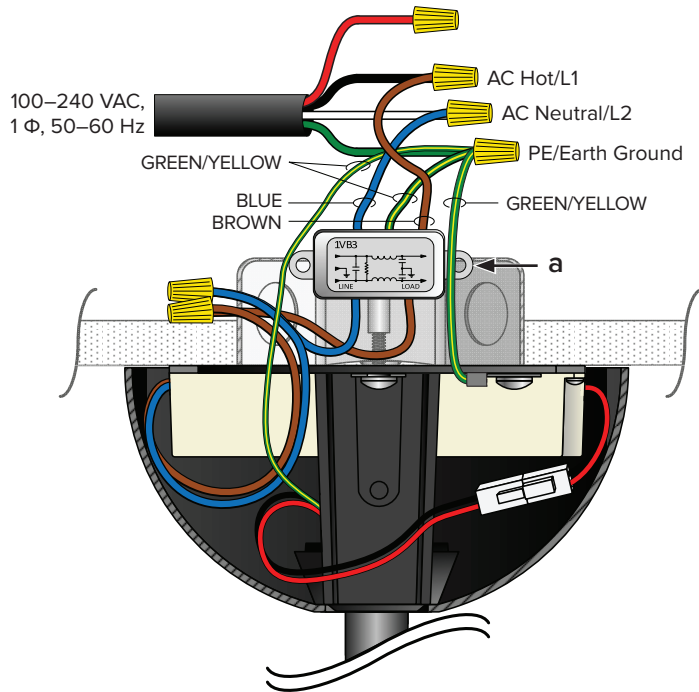
⚠ Make sure power is disconnected from the fan location before installing the mounting bracket!

9 Secure the mounting bracket (a) to the outlet box with the *hardware supplied with the outlet box*.
If mounting the fan to a sloped ceiling, secure the mounting bracket so that the open side of the bracket is facing up the slope of the ceiling.

Wiring Diagram



Wiring Diagram (with EMI Filter)



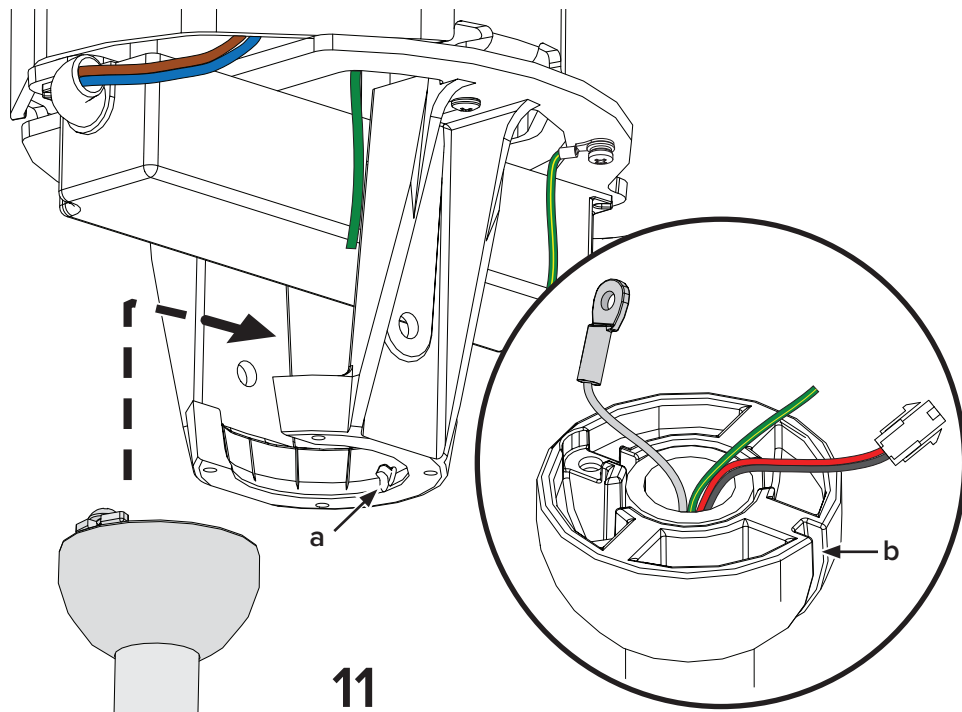
- ⚠️ Disconnect power to the fan location before wiring the fan!**
- ⚠️ Do not connect the fan to a damaged power source! Do not attempt to resolve electrical failures on your own. Consult a qualified electrician if uncertain of the electrical installation of this fan.**

10 Connect the fan wires to the ceiling wires by twisting the ends together and securing them with wire nuts.

If the EMI filter (a) is included, install it with your fan. Test the connection by lightly tugging on the wire nuts. An EMI filter is an electronic component that suppresses electromagnetic interference.

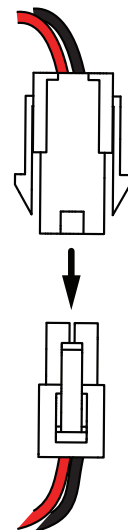
	AC Hot/L1 Brown	AC Neutral/L2 Blue	PE/Earth Ground (connected to fan chassis) Green with Yellow Tracer
North America 100–120 V system	Black	White	Green or Bare Copper
All other regions	Brown	Blue	Green with Yellow Tracer

HANG FAN



11

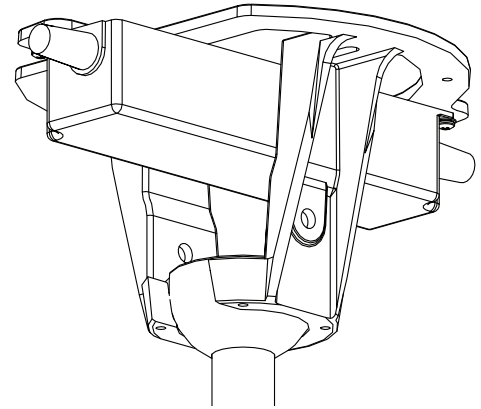
CONNECT WIRING HARNESS



12

- 11** Raise the fan to the mounting bracket. Align the rib in the mounting bracket (*a*) with the slot in the mounting ball (*b*), position the mounting ball, and let the fan hang freely. Gently twist the extension tube to ensure it is properly seated and will not move during fan operation.

- 12** Connect the wiring harnesses. Secure the green ground wire from the extension tube to the supply ground wire and the green ground wire on the mounting bracket.

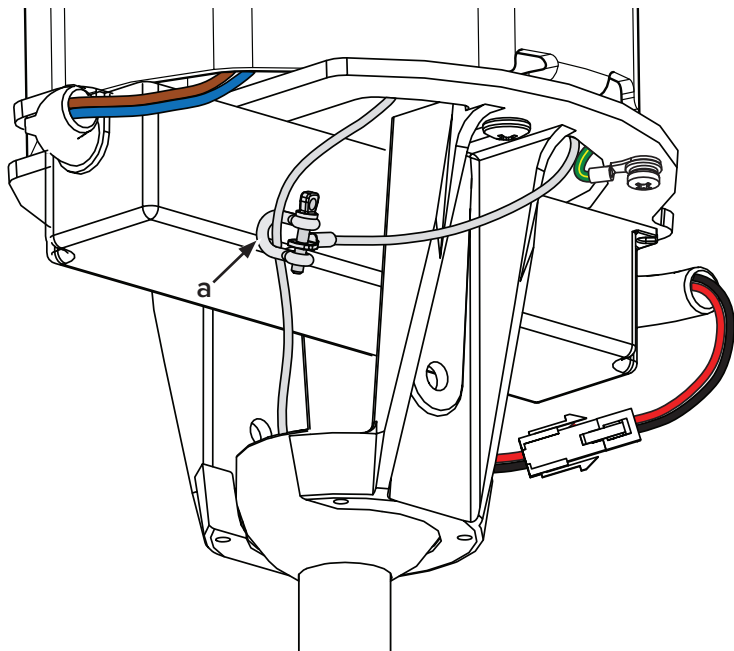


STEPS COMPLETED

4c

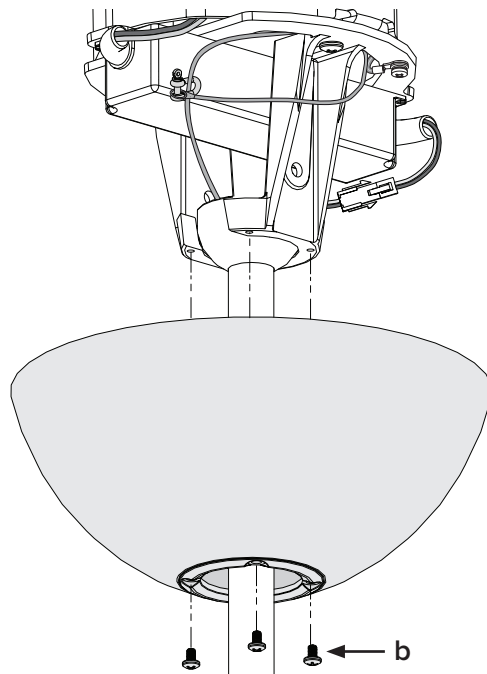
MOUNTING: UNIVERSAL (CONT.)

SECURE SAFETY CABLE



13

INSTALL CANOPY



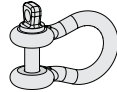
14



If you are installing the fan in Canada, the safety cable must be secured directly to an existing part of the building structure instead of the outlet box. Examples of acceptable building structures include a wooden beam or a metal mounting brace secured between two beams. In some cases it may be necessary to install additional structural material to provide attachment points.

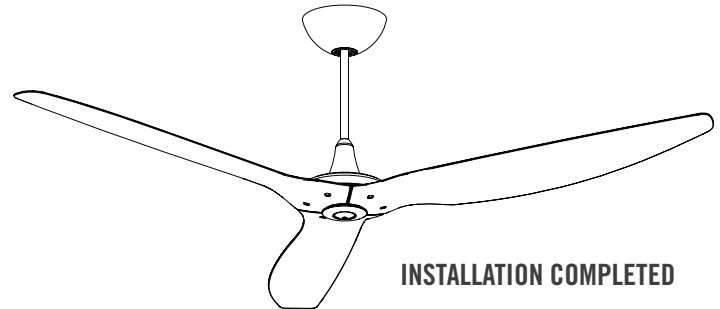
- 13** Loop the safety cable around the mounting bracket or building structure, and then secure it with the shackle.

Hardware:
a. Shackle



- 14** Raise the canopy to the mounting bracket, lining up the four holes on the canopy with the holes on the bracket. Secure the canopy to the mounting bracket with the painted screws. Make sure no wires or the safety cable are showing.

Hardware:
b. M4 x 6 mm painted screws



5 TEST YOUR FAN

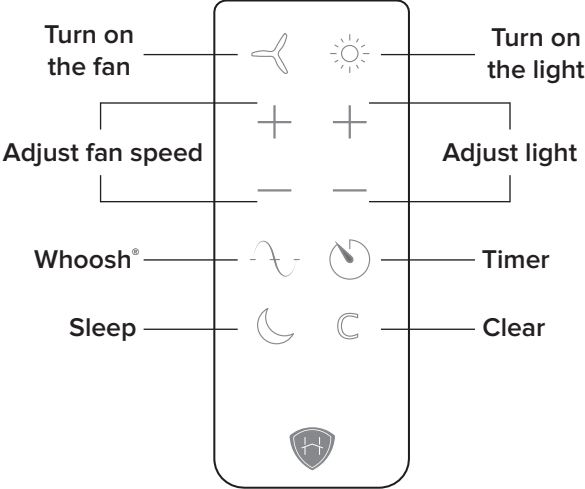
Do not expose the remote control to rain or water.

Before using the remote control, remove the plastic tab from the battery tray.

Turn on power to the fan location and test functionality using the remote. Turn on the fan and test speed and light brightness.

If you purchased the Haiku Wall Control, follow the instructions packaged with the wall control.

For operation, maintenance, and troubleshooting information, visit haikuhome.com/help



© 2015 Haiku Home

The information contained in this document is subject to change without notice. May be protected by one or more patents listed at www.bigassolutions.com/patents

Haiku is a trademark of Delta T Corporation, registered in the U.S. and/or other countries.

www.haikuhome.com/warranties

H



HKU-INST-95-ENG-01