



Haiku® Fans H Series

Quality, Elegance and Efficiency

The H Series ceiling fan from Haiku represents our foremost achievement in design, craftsmanship and technological capability. Built from premium materials like aircraft-grade aluminium and sustainable Moso bamboo, H Series offers an exceptional number of customizable options. Onboard

SenseME™ Technology allows for automated fan operation, tailoring it to fit your unique comfort needs and minimizing energy use year-round. H Series is capable of connecting with other smart technologies to significantly reduce the workload of heating and cooling systems.

SenseME Technology Features



Motion Sensor

Detects when you enter or leave a room, turning the fan and LED light on and off automatically



Whoosh® Mode

Silently varies fan speed to mimic cooling natural breezes



Smart Mode

Alternates between seasonal settings—Smarter Heating and Smarter Cooling—to maintain comfort and maximize energy savings



Sleep Mode

Responds to changing conditions to provide customized comfort all night long



Scheduling

Sets precise schedules for fan control modes



Wi-Fi

Connects to the Haiku Home mobile app for fan control and over-the-air updates

HAIKUHOME.COM

AMERICAS
1-859-233-1271

CANADA
1-844-924-4277

AUSTRALIA/OCEANIA
1-300-244-277

ASIA PACIFIC
+65 6709 8500

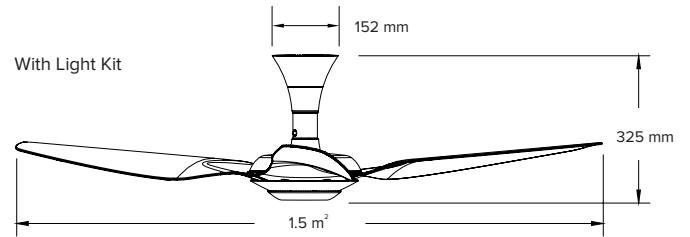
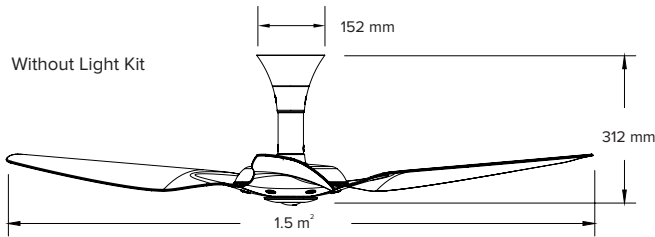
EAST ASIA
+852 2836 5808



HAIKU
BY BIG ASS SOLUTIONS

H Series Fans

TECHNICAL SPECIFICATIONS



Technical Specifications

Model	H Series Bamboo Low Profile Mount
Model number¹	S3150-S0-XX-XX-02-A-01
Fan diameter²	1.5 m
Fan height without light	312 mm
Fan height with light	325 mm
Hanging weight³	7.3 kg
Motor and assembly finishes	Caramel: white, black, satin nickel, oil-rubbed bronze Cocoa: black, satin nickel, oil-rubbed bronze
Aerofoil material	Bamboo
Aerofoil finishes	Caramel or Cocoa
Number of aerofoils	3
Motor type	EC motor with digital inverter drive
Number of fan speeds	7
Operating voltage and frequency	100–125 VAC, 1 Φ , 50–60 Hz 200–240 VAC, 1 Φ , 50–60 Hz
RPM (min/max)	35/202 RPM
Amps (min/max)	0.04/0.23 A
Watts (min/max)	1.41/13.83 W
Controller⁴	Haiku Home app; handheld remote supplied
Optional light kit	16 dimmable light settings
Operational temperature range	0° to 40° C
Environment	For indoor use only
Warranty⁵	1 year

¹ XX-XX indicates placeholder numbers, which vary depending on finish options, where the fan is installed, and other factors.

² Diameter of airfoil sweep

³ The actual, precise fan weight will vary based on individual component weights and finishing.

⁴ SenseME Technology is supported by Android™ and iOS® mobile digital devices. All specifications are subject to change without notice.

⁵ Warranties may vary by country. See full warranty for details.

Accessories

Handheld Remote



Optional Light Kit



Aerofoil Finishes



Caramel Bamboo



Cocoa Bamboo

Sensors

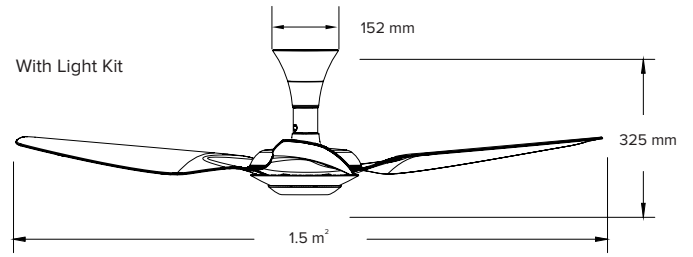
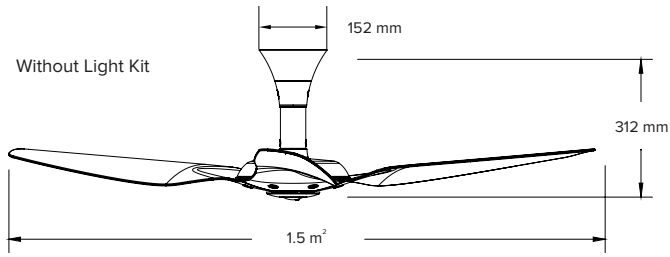
Environmental sensors	Ambient temperature, surface temperature and relative humidity
Motion	Passive infrared
Communication radio	Embedded Wi-Fi chip



HAIKU
BY BIG ASS SOLUTIONS

H Series Fans

TECHNICAL SPECIFICATIONS



Technical Specifications

Model	H Series Aluminium Low Profile Mount
Model number ¹	S3150-S0-XX-XX-02-A-01-F421
Fan diameter ²	1.5 m
Fan height without light	312 mm
Fan height with light	325 mm
Hanging weight ³	8.4 kg
Motor and assembly finishes	Black or white
Aerofoil material	Aluminium
Aerofoil finishes	Polished aluminium
Number of Aerofoils	3
Motor type	EC motor with digital inverter drive
Number of fan speeds	7
Operating voltage and frequency	100–125 VAC, 1 Φ, 50–60 Hz 200–240 VAC, 1 Φ, 50–60 Hz
RPM (min/max)	35/177 RPM
Amps (min/max)	0.04/0.25 A
Watts (min/max)	2.02/18.44 W
Controller ⁴	Haiku Home app; handheld remote supplied
Optional light kit	16 dimmable light settings
Operational temperature range	0° to 40° C
Environment	For indoor or covered outdoor use
Warranty ⁵	1 year

¹ XX-XX indicates placeholder numbers, which vary depending on finish options, where the fan is installed, and other factors.

² Diameter of airfoil sweep

³ The actual, precise fan weight will vary based on individual component weights and finishing.

⁴ SenseME Technology is supported by Android™ and IOS™ mobile digital devices. All specifications are subject to change without notice.

⁵ Warranties may vary by country. See full warranty for details.

Accessories

Handheld Remote



Optional Light Kit



Aerofoil Finish



Polished Aluminium

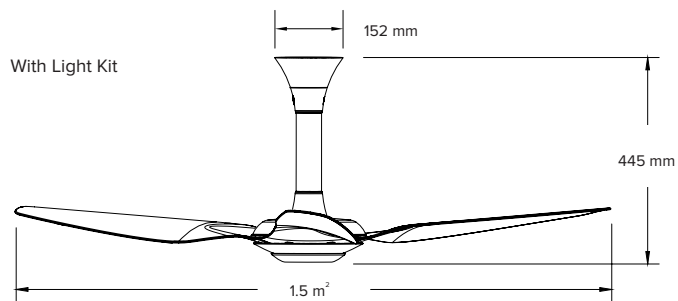
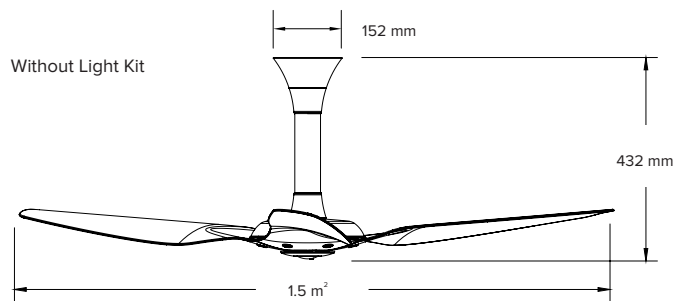
Sensors

Environmental sensors	Ambient temperature, surface temperature and relative humidity
Motion	Passive infrared
Communication radio	Embedded Wi-Fi chip



HAIKU
BY BIG ASS SOLUTIONS

H Series Fans | TECHNICAL SPECIFICATIONS



Technical Specifications

Model	H Series Bamboo Standard Mount
Model number¹	S3150-A2-XX-XX-02-A-01
Fan diameter²	1.5 m
Fan height without light	432 mm
Fan height with light	445 mm
Hanging weight³	7.3 kg
Motor and assembly finishes	Caramel: white or black Cocoa: black
Aerofoil material	Bamboo
Aerofoil finishes	Caramel or Cocoa
Number of Aerofoils	3
Motor type	EC motor with digital inverter drive
Number of fan speeds	7
Operating voltage and frequency	100–125 VAC, 1 Φ , 50–60 Hz 200–240 VAC, 1 Φ , 50–60 Hz
RPM (min/max)	35/202 RPM
Amps (min/max)	0.04/0.363 A
Watts (min/max)	1.99/19.88 W
Controller⁴	Haiku Home app; handheld remote supplied
Optional light kit	16 dimmable light settings
Operational temperature range	0° to 40° C
Environment	For indoor use only
Warranty⁵	1 year

¹ XX-XX indicates placeholder numbers, which vary depending on finish options, where the fan is installed, and other factors.

² Diameter of airfoil sweep

³ The actual, precise fan weight will vary based on individual component weights and finishing.

⁴ SenseME Technology is supported by Android™ and iOS® mobile digital devices. All specifications are subject to change without notice.

⁵ Warranties may vary by country. See full warranty for details.

Accessories

Handheld Remote



Optional Light Kit



Aerofoil Finishes



Caramel Bamboo



Cocoa Bamboo

Sensors

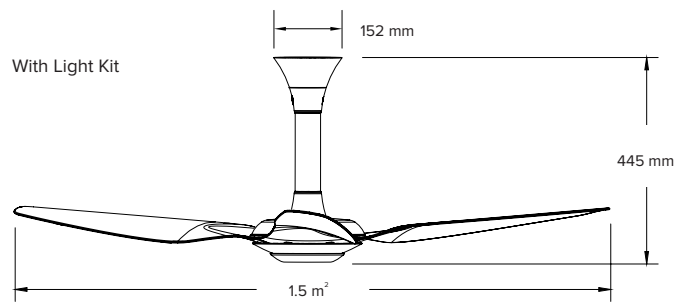
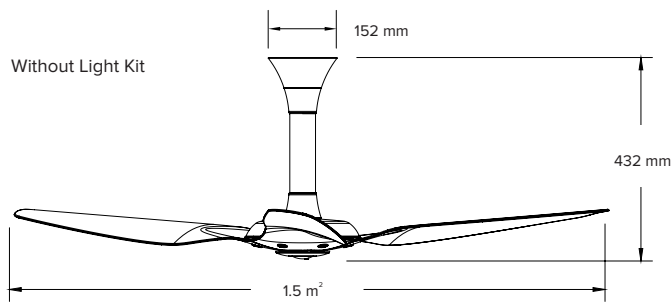
Environmental sensors	Ambient temperature, surface temperature and relative humidity
Motion	Passive infrared
Communication radio	Embedded Wi-Fi chip



HAIKU
BY BIG ASS SOLUTIONS

H Series Fans

TECHNICAL SPECIFICATIONS



Technical Specifications

Model	H Series Aluminium Standard Mount
Model number¹	S3150-A2-XX-XX-02-A-01-F421
Fan diameter²	1.5 m
Fan height without light	1432 mm
Fan height with light	445 mm
Hanging weight²	8.4 kg
Motor and assembly finishes	Black or white
Aerofoil material	Aluminium
Aerofoil finishes	Polished aluminium
Number of Aerofoils	3
Motor type	EC motor with digital inverter drive
Number of fan speeds	7
Operating voltage and frequency	100–125 VAC, 1 Φ , 50–60 Hz 200–240 VAC, 1 Φ , 50–60 Hz
RPM (min/max)	35/202 RPM
Amps (min/max)	0.04/0.25 A
Watts (min/max)	2.09/28.78 W
Controller³	Haiku Home app; handheld remote supplied
Optional light kit	16 dimmable light settings
Operational temperature range	0° to 40° C
Environment	For indoor or covered outdoor use
Warranty⁴	1 year

¹ XX-XX indicates placeholder numbers, which vary depending on finish options, where the fan is installed, and other factors.

² Diameter of airfoil sweep

³ The actual, precise fan weight will vary based on individual component weights and finishing.

⁴ SenseME Technology is supported by Android™ and iOS™ mobile digital devices. All specifications are subject to change without notice.

⁵ Warranties may vary by country. See full warranty for details.

Accessories

Handheld Remote



Optional Light Kit



Aerofoil Finish



Polished Aluminium

Sensors

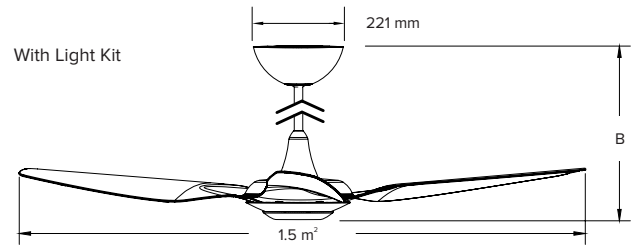
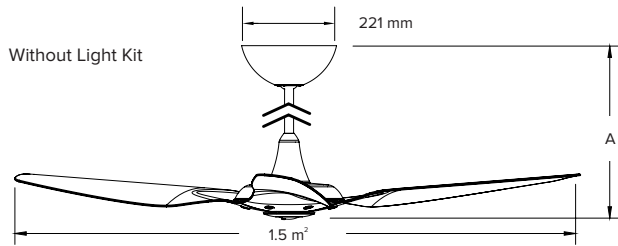
Environmental sensors	Ambient temperature, surface temperature and relative humidity
Motion	Passive infrared
Communication radio	Embedded Wi-Fi chip



HAIKU
BY BIG ASS SOLUTIONS

H Series Fans

TECHNICAL SPECIFICATIONS



Technical Specifications

Model	H Series Bamboo Universal Mount		
Model number¹	S3150-X2-XX-XX-02-A-01		
Fan diameter²	1.5 m		
Extension tube length³	178 mm	508 mm	813 mm
Fan height without light (A)	406 mm	737 mm	1041 mm
Fan height with light (B)	419 mm	749 mm	1054 mm
Hanging weight⁴	6.8 kg		
Motor and assembly finishes	Caramel: white, black, satin nickel, oil-rubbed bronze Cocoa: black, satin nickel, oil-rubbed bronze		
Aerofoil material	Bamboo		
Aerofoil finishes	Caramel or Cocoa		
Number of Aerofoils	3		
Motor type	EC motor with digital inverter drive		
Number of fan speeds	7		
Operating voltage and frequency	100–125 VAC, 1 Φ , 50–60 Hz 200–240 VAC, 1 Φ , 50–60 Hz		
RPM (min/max)	35/202 RPM		
Amps (min/max)	0.04/0.183 A		
Watts (min/max)	1.95/21.14 W		
Controller⁵	Haiku Home app; handheld remote supplied		
Optional light kit	16 dimmable light settings		
Operational temperature range	0° to 40° C		
Environment	For indoor use only		
Warranty⁶	1 year		

Accessories

Handheld Remote



Optional Light Kit



Aerofoil Finishes



Caramel Bamboo



Cocoa Bamboo

Sensors

Environmental sensors	Ambient temperature, surface temperature and relative humidity
Motion	Passive infrared
Communication radio	Embedded Wi-Fi chip

¹ XX-XX indicates placeholder numbers, which vary depending on finish options, where the fan is installed, and other factors.

² Diameter of airfoil sweep

³ Extended length extension tubes are available in 1219 mm and 1524 mm and are packaged separately. For taller ceilings, a Tall Ceiling Kit is also available.

⁴ The actual, precise fan weight will vary based on individual component weights and finishing.

⁵ SenseME Technology is supported by Android™ and iOS® mobile digital devices. All specifications are subject to change without notice.

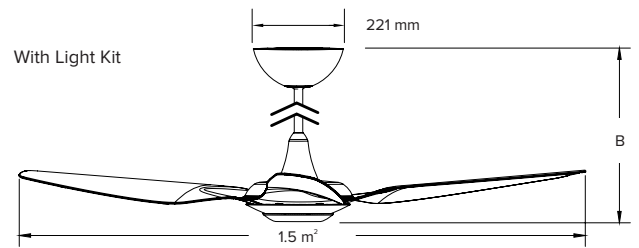
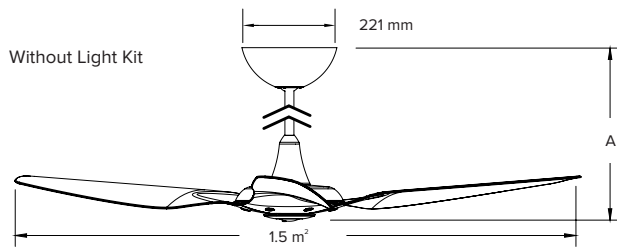
⁶ Warranties may vary by country. See full warranty for details.



HAIKU

BY BIG ASS SOLUTIONS

H Series Fans | TECHNICAL SPECIFICATIONS



Technical Specifications

Model	H Series Aluminium Universal Mount		
Model number¹	S3150-X2-XX-XX-02-A-01-F421		
Fan diameter²	1.5 m		
Extension tube length³	178 mm	508 mm	813 mm
Fan height without light (A)	406 mm	737 mm	1041 mm
Fan height with light (B)	419 mm	749 mm	1054 mm
Hanging weight⁴	8 kg		
Motor and assembly finishes	Black or white		
Aerofoil material	Aluminium		
Aerofoil finishes	Polished aluminium		
Number of aerofoils	3		
Motor type	EC motor with digital inverter drive		
Number of fan speeds	7		
Operating voltage and frequency	100–125 VAC, 1 Φ , 50–60 Hz 200–240 VAC, 1 Φ , 50–60 Hz		
RPM (min/max)	35/202 RPM		
Amps (min/max)	0.037/0.25 A		
Watts (min/max)	2/28.78 W		
Controller⁵	Haiku Home app; handheld remote supplied		
Optional light kit	16 dimmable light settings		
Operational temperature range	0° to 40° C		
Environment	For indoor or covered outdoor use		
Warranty⁶	1 year		

¹ XX-XX indicates placeholder numbers, which vary depending on finish options, where the fan is installed, and other factors.

² Diameter of airfoil sweep

³ Extended length extension tubes are available in 1219 mm and 1524 mm and are packaged separately. For taller ceilings, a Tall Ceiling Kit is also available.

⁴ The actual, precise fan weight will vary based on individual component weights and finishing.

⁵ SenseME Technology is supported by Android™ and iOS® mobile digital devices. All specifications are subject to change without notice.

⁶ Warranties may vary by country. See full warranty for details.

Accessories

Handheld Remote



Optional Light Kit



Aerofoil Finish



Polished Aluminium

Sensors

Environmental sensors	Ambient temperature, surface temperature and relative humidity
Motion	Passive infrared
Communication radio	Embedded Wi-Fi chip

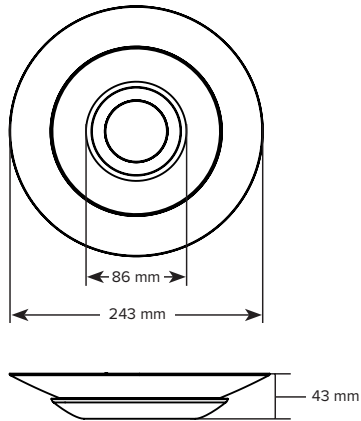


HAIKU
BY BIG ASS SOLUTIONS

Accessory:

Haiku Light Kit

TECHNICAL SPECIFICATIONS



Technical Specifications	
Operating voltage	12/24 VDC
Operating current	1.5 Adc (100% PWM)
Nominal input power	16.3W
Operating temperature	0° to 40° C
Lens diameter	145 mm
Nominal lumen output	1280 Lm
CRI	82
Corresponding color temperature	2700 K
Dimming range	3–100%
Operating life expectancy	50,000 hours
Lens color	Diffused clear and smoky options included
Controller	On/Off control Digital dimmer
Warranty*	1 year

*Certain exclusions apply. Warranties may vary by country. See full warranty for details.

