

Haiku H Series Fans

TECHNICAL SPECIFICATIONS



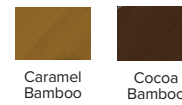
Built from premium materials like sustainable Moso bamboo and featuring cutting-edge SenseME® technology, Haiku H Series has won more than 65 international design and tech awards.

THE CEILING FAN, REINVENTED

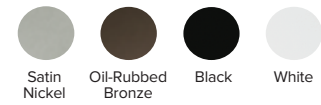
- **Airfoils** — Moso bamboo; 60-inch (1.5-meter) diameter
- **Airfoil Finishes** — Caramel bamboo or cocoa bamboo
- **Motor** — EC motor with digital inverter drive
- **Controls** — Remote control (included), Haiku Home mobile app¹, Haiku Wall Control (optional), or Amazon Alexa-enabled devices (optional)
- **Onboard Sensors** — Ambient and surface temperature, relative humidity, and passive infrared sensors enable SenseME Technology
- **Environment** — Indoor use only
- **Accessories** — Haiku Light Kit, 0–10 V Module, and Haiku Wall Control. See respective spec sheets for details. A Tall Ceiling Kit and Stabilizer Kit are available for ceilings 14 feet (4.3 meters) or taller.



Airfoil Finishes



Hardware Finishes

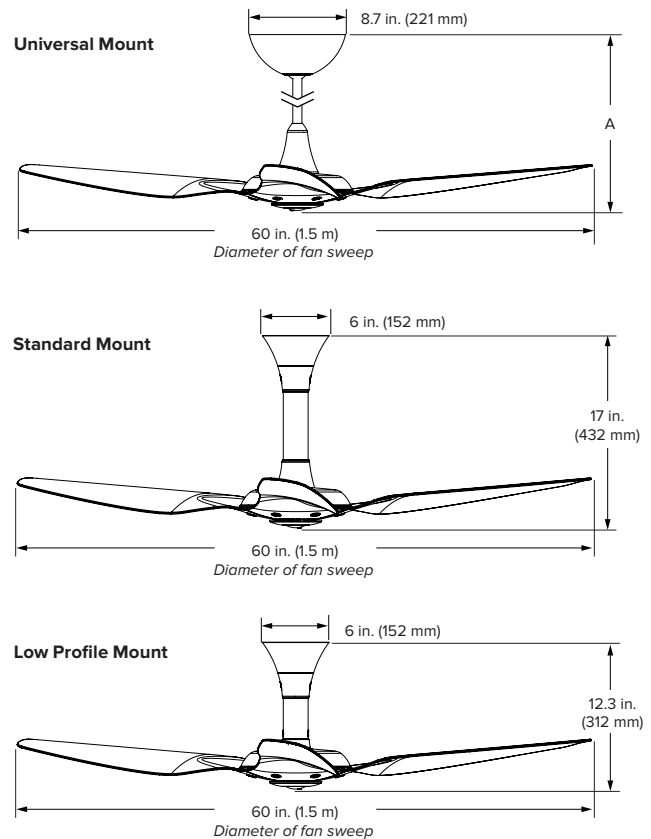


*White hardware finish is only available with Caramel Bamboo airfoils.

Technical Specifications — Universal Mount			
Model number ²		S3150-X2-XX-XX-02-X-01	
Included	Extension tube lengths	7 in. (178 mm)	20 in. (508 mm) 32 in. (813 mm)
	Height (A)	16 in. (406 mm)	29 in. (737 mm) 41 in. (1041 mm)
Optional	Tall ceiling tube lengths ³	48 in. (1219 mm)	60 in. (1524 mm)
	Height (A)	57 in. (1448 mm)	69 in. (1753 mm)
Weight ⁴		15 lb (6.8 kg)	
Operating voltage		100–240 VAC, 1Φ, 50–60 Hz	
Watts (min/max)		1.95/21.14 W	
Amps (min/max)		0.04/0.183 A	
Fan speed (min/max)		7 speeds (35/200 RPM)	
Sound level at max speed ⁵		< 35 dBA	

Technical Specifications — Standard Mount	
Model number ²	S3150-A2-XX-XX-02-X-01
Weight ⁴	18.5 lb (8.4 kg)
Operating voltage	100–240 VAC, 1Φ, 50–60 Hz
Watts (min/max)	1.99/19.88 W
Amps (min/max)	0.04/0.363 A
Fan speed (min/max)	7 speeds (35/200 RPM)
Sound level at max speed ⁵	< 35 dBA

Technical Specifications — Low Profile Mount	
Model number ²	S3150-S0-XX-XX-02-X-01
Weight ⁴	16 lb (7.3 kg)
Operating voltage	100–240 VAC, 1Φ, 50–60 Hz
Watts (min/max)	1.99/13.83 W
Amps (min/max)	0.04/0.23 A
Fan speed (min/max)	7 speeds (35/175 RPM)
Sound level at max speed ⁵	< 35 dBA



¹ SenseME Technology and the Haiku Home app are supported by Android® and iOS®. All specifications are subject to change without notice.

² "X" indicates a placeholder number, which varies depending on finish options, where the fan is installed, and other factors.

³ Optional Tall Ceiling Kit packaged separately.

⁴ The actual, precise fan weight will vary based on individual component weights and finishing.

⁵ Actual results of sound measurements in the field may vary due to sound reflective surfaces and environmental conditions.



Lead times may vary.
See warranty for coverage information.
Specifications subject to change without notice.
Fan heights do not include the Haiku Fan Light Kit.



AMERICAS
HAIKUHOME.COM
855-694-2458

CANADA
HAIKUHOME.COM/CA
844-924-4277

AUSTRALIA
HAIKUHOME.COM/AU
1-300-244-277

SINGAPORE
HAIKUHOME.COM/SG
+65 6709 8500

MALAYSIA
+603 5565 0888